
International Standard



3964

INTERNATIONAL ORGANIZATION FOR STANDARDIZATION • МЕЖДУНАРОДНАЯ ОРГАНИЗАЦИЯ ПО СТАНДАРТИЗАЦИИ • ORGANISATION INTERNATIONALE DE NORMALISATION

Dental handpieces — Coupling dimensions

Pièces à main dentaires — Dimensions d'accouplement

Second edition — 1982-12-01

iTeh STANDARD PREVIEW
(standards.iteh.ai)

[ISO 3964:1982](#)

<https://standards.iteh.ai/catalog/standards/sist/d6980d0b-18e9-40d0-8edd-15a9b8a7e983/iso-3964-1982>

UDC 615.471 : 616.314-7

Ref. No. ISO 3964-1982 (E)

Descriptors : dental equipment, couplings, dimensions, dimensional tolerances.

Foreword

ISO (the International Organization for Standardization) is a worldwide federation of national standards institutes (ISO member bodies). The work of developing International Standards is carried out through ISO technical committees. Every member body interested in a subject for which a technical committee has been set up has the right to be represented on that committee. International organizations, governmental and non-governmental, in liaison with ISO, also take part in the work.

Draft International Standards adopted by the technical committees are circulated to the member bodies for approval before their acceptance as International Standards by the ISO Council.

International Standard ISO 3964 was developed by Technical Committee ISO/TC 106, *Dentistry*, and was circulated to the member bodies in March 1981.

ITeH STANDARD PREVIEW
(standards.iteh.ai)

It has been approved by the member bodies of the following countries :

[ISO 3964:1982](#)

Australia	India	South Africa, Rep. of
Austria	Ireland	Sweden
Canada	Japan	Switzerland
Czechoslovakia	Netherlands	United Kingdom
Egypt, Arab Rep. of	New Zealand	USA
France	Poland	USSR
Germany, F. R.	Romania	

No member body expressed disapproval of the document.

This second edition cancels and replaces the first edition (i.e. ISO 3964-1977).

Dental handpieces – Coupling dimensions

0 Introduction

The dental handpiece is an instrument used daily by dental practitioners throughout the world. To permit the interchange of instruments from various manufacturing sources in different countries, agreement on the dimensions for the coupling units is necessary, otherwise major practical problems could arise in the use of these precision instruments.

1 Scope and field of application

This International Standard specifies the nominal dimensions and tolerances of the swivel-type coupling used between the dental handpieces and their driving mechanisms. It is not applicable to the older "slip-joint" coupling. It is restricted to mechanically coupled handpieces of the slow or medium speed types.

2 Nominal dimensions and tolerances

See figures 1 and 2.

iTeh STANDARD PREVIEW
(standard.itteh.ai)

Dimensions in millimetres

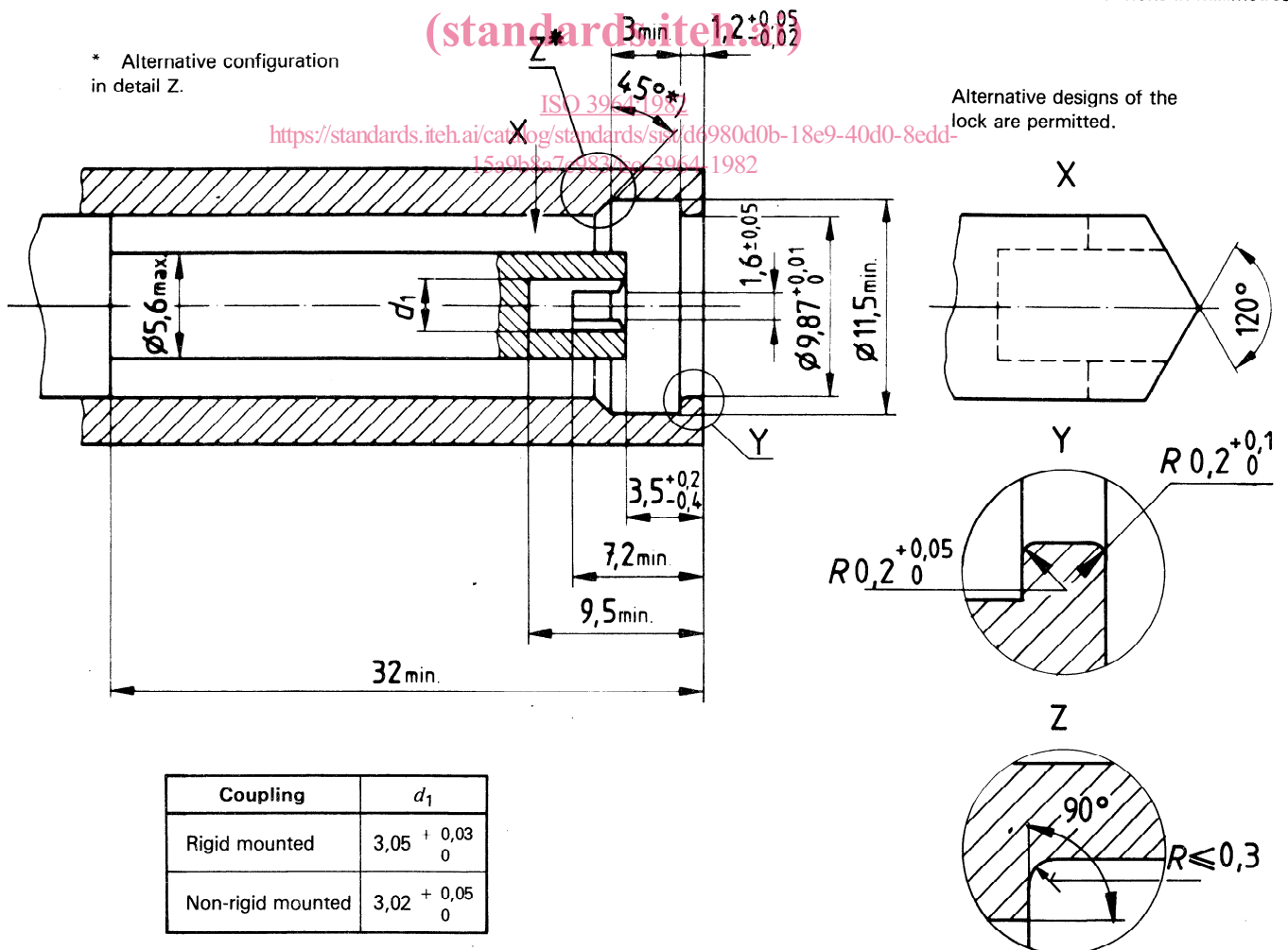
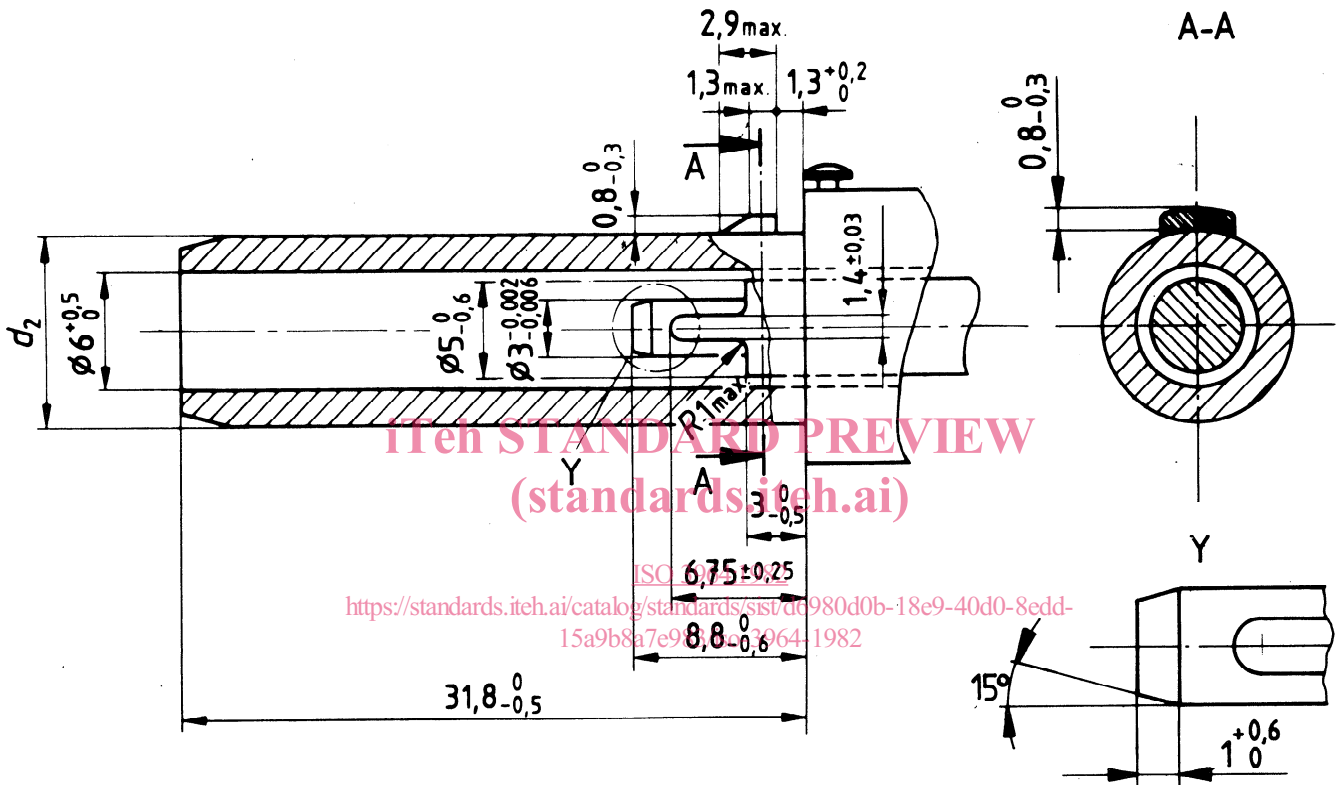


Figure 1 – Instrument

Dimensions in millimetres



Shaft for rotational frequency of the instrument	d_2
> 25 000 r/min	$9,86 \begin{smallmatrix} 0 \\ -0,01 \end{smallmatrix}$
< 25 000 r/min	$9,86 \begin{smallmatrix} 0 \\ -0,02 \end{smallmatrix}$

Figure 2 — Motor