

---

**INTERNATIONAL STANDARD**



**4002 / 1**

---

INTERNATIONAL ORGANIZATION FOR STANDARDIZATION • МЕЖДУНАРОДНАЯ ОРГАНИЗАЦИЯ ПО СТАНДАРТИЗАЦИИ • ORGANISATION INTERNATIONALE DE NORMALISATION

---

**Equipment for sowing and planting — Disks —  
Part I : Concave disks type D1 — Dimensions**

*Matériel de semis et de plantation — Disques — Partie I : Disques concaves type D1 — Dimensions*

First edition — 1979-04-15

**ITh STANDARD PREVIEW**  
**(standards.iteh.ai)**

[ISO 4002-1:1979](https://standards.iteh.ai/catalog/standards/sist/5d05845b-9bc9-4b9c-b2df-14eab7b4aa41/iso-4002-1-1979)

<https://standards.iteh.ai/catalog/standards/sist/5d05845b-9bc9-4b9c-b2df-14eab7b4aa41/iso-4002-1-1979>

---

**UDC 631.33.02**

**Ref. No. ISO 4002/I-1979 (E)**

**Descriptors :** agricultural machinery, planting machines, seeders, disks (agricultural), dimensions.

## FOREWORD

ISO (the International Organization for Standardization) is a worldwide federation of national standards institutes (ISO member bodies). The work of developing International Standards is carried out through ISO technical committees. Every member body interested in a subject for which a technical committee has been set up has the right to be represented on that committee. International organizations, governmental and non-governmental, in liaison with ISO, also take part in the work.

Draft International Standards adopted by the technical committees are circulated to the member bodies for approval before their acceptance as International Standards by the ISO Council.

International Standard ISO 4002/1 was developed by Technical Committee ISO/TC 23, *Tractors and machinery for agriculture and forestry*, and was circulated to the member bodies in March 1977.

STANDARD PREVIEW  
(standards.iteh.ai)

It has been approved by the member bodies of the following countries :

Australia	Germany, F.R.	South Africa, Rep. of
Austria	Iran	Spain
Belgium	Italy	Sweden
Brazil	Korea, Dem. P. Rep. of	Switzerland
Bulgaria	Korea, Rep. of	Turkey
Chile	New Zealand	United Kingdom
Czechoslovakia	Philippines	USSR
Denmark	Poland	
France	Romania	

The member bodies of the following countries expressed disapproval of the document on technical grounds :

Finland  
India  
Mexico

# Equipment for sowing and planting — Disks — Part 1 : Concave disks type D1 — Dimensions

**iTeh STANDARD PREVIEW**  
**(standards.iteh.ai)**

## 1 SCOPE AND FIELD OF APPLICATION

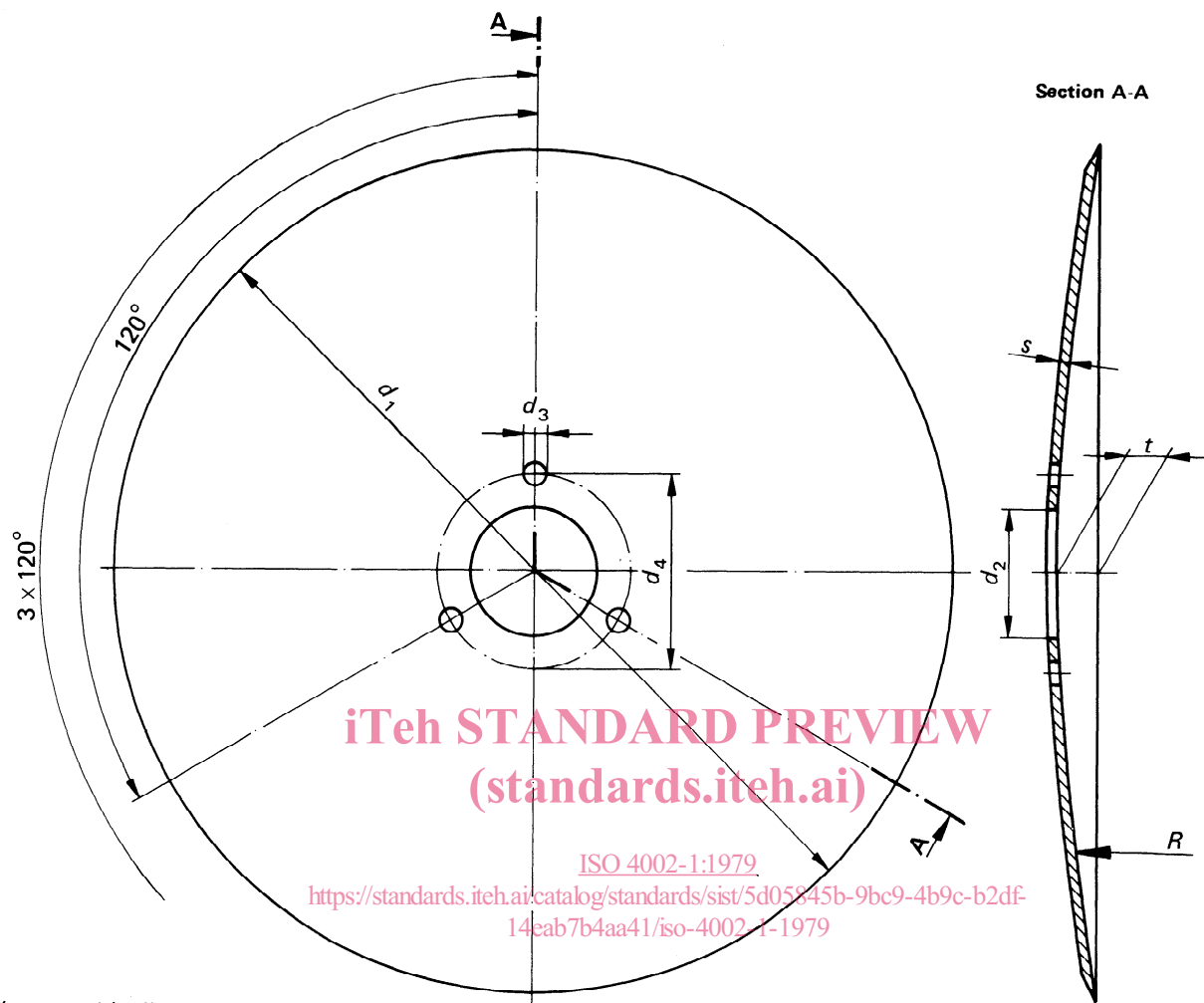
This International Standard lays down the dimensions of concave disks, with or without central hole, for sowing and planting machines.

[ISO 4002-1:1979](https://standards.iteh.ai/catalog/standards/sist/5d058450-70c9-409c-b2df-14eab7b4aa41/iso-4002-1-1979)

[https://standards.iteh.ai/catalog/standards/sist/5d058450-70c9-409c-b2df-](https://standards.iteh.ai/catalog/standards/sist/5d058450-70c9-409c-b2df-14eab7b4aa41/iso-4002-1-1979)

[14eab7b4aa41/iso-4002-1-1979](https://standards.iteh.ai/catalog/standards/sist/5d058450-70c9-409c-b2df-14eab7b4aa41/iso-4002-1-1979)

2 SPECIFICATIONS



- $d_1$  = outside diameter
- $d_2$  = diameter of centre hole (if present)
- $d_3$  = fixing holes diameter
- $d_4$  = pitch circle diameter
- $t$  = height of concavity
- $R$  = radius of concavity
- $s$  = thickness

FIGURE – Concave disk type D1

TABLE – Dimensions and fixing holes

Dimensions in millimetres

Size	$d_1$ $\pm 2$	$d_2$ $+ 0,5$ $0$	$d_3$	$d_4^*$	$s$	$R$	$t^{**}$
I	300	55	9	85	2,5	550	20,85
II	350						28,44
III	400	65	11	90	3	600	34,44
IV	450				4		43,68

\* Fixing hole centre tolerance shall be within 0,2 mm diameter of true position.

\*\* Dimension  $t$  for reference.

NOTE – Tolerance for radius of concavity  $\pm 5\%$  of  $R$ .