

---

# INTERNATIONAL STANDARD 4002 / II

---

INTERNATIONAL ORGANIZATION FOR STANDARDIZATION • МЕЖДУНАРОДНАЯ ОРГАНИЗАЦИЯ ПО СТАНДАРТИЗАЦИИ • ORGANISATION INTERNATIONALE DE NORMALISATION

---

## Equipment for sowing and planting — Disks — Part II : Flat disks type D2 with single bevel — Dimensions

*Matériel de semis et de plantation — Disques —  
Partie II : Disques plats type D2 à biseau unique — Dimensions*

ITEH STANDARD PREVIEW

(standards.iteh.ai)

First edition — 1977-05-15

[ISO 4002-2:1977](https://standards.iteh.ai/catalog/standards/sist/f0935dc9-9f03-4fed-9d93-49d04da2f648/iso-4002-2-1977)

<https://standards.iteh.ai/catalog/standards/sist/f0935dc9-9f03-4fed-9d93-49d04da2f648/iso-4002-2-1977>

---

UDC 631.33.024.3

Ref. No. ISO 4002/II-1977 (E)

**Descriptors** : agricultural machinery, planting machines, seeders, disks (agricultural), dimensions.

## FOREWORD

ISO (the International Organization for Standardization) is a worldwide federation of national standards institutes (ISO member bodies). The work of developing International Standards is carried out through ISO technical committees. Every member body interested in a subject for which a technical committee has been set up has the right to be represented on that committee. International organizations, governmental and non-governmental, in liaison with ISO, also take part in the work.

Draft International Standards adopted by the technical committees are circulated to the member bodies for approval before their acceptance as International Standards by the ISO Council.

International Standard ISO 4002/1 was developed by Technical Committee ISO/TC 23, *Tractors and machinery for agriculture and forestry*, and was circulated to the member bodies in December 1975.

ITEH STANDARD PREVIEW  
(standards.iteh.ai)

It has been approved by the member bodies of the following countries :

Australia	Hungary	Romania
Austria	India	South Africa Rep. of
Belgium	Ireland	Spain
Canada	Italy	Switzerland
Czechoslovakia	Korea, Dem. P. Rep. of	Turkey
Finland	Mexico	United Kingdom
France	New Zealand	Yugoslavia
Germany	Portugal	

The member bodies of the following countries expressed disapproval of the document on technical grounds :

Bulgaria  
Denmark  
U.S.A.  
U.S.S.R.

# Equipment for sowing and planting – Disks – Part II : Flat disks type D2 with single bevel – Dimensions

## iTeh STANDARD PREVIEW (standards.iteh.ai)

### 1 SCOPE AND FIELD OF APPLICATION

This International Standard lays down the dimensions of disks, having either plain or ball/roller bearings, for sowing and planting machines. <https://standards.iteh.ai/catalog/standards/sist/10935ac9-9f03-4fed-9d93-49d04da2f648/iso-4002-2-1977>

### 2 REFERENCE

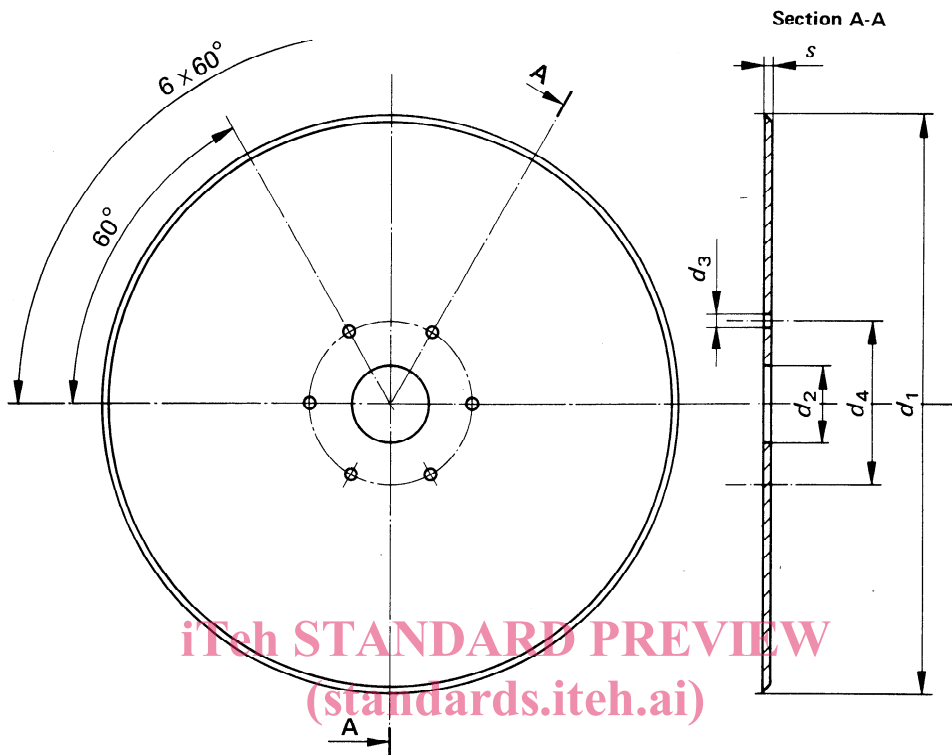
ISO 3339/IV, *Tractors and machinery for agriculture and forestry – Classification and terminology – Part IV : Equipment for sowing and planting.*<sup>1)</sup>

---

1) In preparation.

3 REQUIRED CHARACTERISTICS

3.1 Dimensions and fixing holes



ISO 4002-2:1977  
<https://standards.iteh.ai/catalog/standards/sist/f0935dc9-9f03-4fed-9d93-19d01da2f648/iso-4002-2-1977>  
 d<sub>1</sub> = outside diameter  
 d<sub>2</sub> = centre hole diameter  
 d<sub>3</sub> = rivet hole diameter  
 d<sub>4</sub> = pitch circle diameter  
 s = thickness

FIGURE – Flat disk type D2 with single bevel

TABLE – Dimensions and fixing holes

Dimensions in millimetres

d <sub>1</sub> ± 1	d <sub>2</sub> <sup>+0,5</sup> / <sub>0</sub>		d <sub>3</sub> *	d <sub>4</sub> **		s
	Plain bearing	Ball/Roller bearing		Plain bearing	Ball/Roller bearing	
300	40	40	6,5	85	63,5	2
325	40					
350	45					

\* For hollow rivet.

\*\* Fixing hole centres shall be within 0,2 mm diameter of true position.

3.2 Flatness

Flatness tolerance :  $+ \frac{2}{0} \text{ mm}$