
INTERNATIONAL STANDARD



4050

INTERNATIONAL ORGANIZATION FOR STANDARDIZATION • МЕЖДУНАРОДНАЯ ОРГАНИЗАЦИЯ ПО СТАНДАРТИЗАЦИИ • ORGANISATION INTERNATIONALE DE NORMALISATION

Shipbuilding — Inland vessels — “Rhine” and Hall’s stockless anchors

Construction navale — Bateaux de navigation intérieure — Ancres sans jas type «Rhin» et Hall

First edition — 1977-11-01

iTeh STANDARD PREVIEW
(standards.iteh.ai)

[ISO 4050:1977](#)

<https://standards.iteh.ai/catalog/standards/sist/4e10d114-b331-45b9-b036-bcfbedc5f06/iso-4050-1977>

UDC 629.122.015

Ref. No. ISO 4050-1977 (E)

Descriptors : shipbuilding, inland navigation, ship anchors, specifications, dimensions, weight.

FOREWORD

ISO (the International Organization for Standardization) is a worldwide federation of national standards institutes (ISO member bodies). The work of developing International Standards is carried out through ISO technical committees. Every member body interested in a subject for which a technical committee has been set up has the right to be represented on that committee. International organizations, governmental and non-governmental, in liaison with ISO, also take part in the work.

Draft International Standards adopted by the technical committees are circulated to the member bodies for approval before their acceptance as International Standards by the ISO Council.

International Standard ISO 4050 was developed by Technical Committee ISO/TC 8, *Shipbuilding*, and was circulated to the member bodies in June 1976.

It has been approved by the member bodies of the following countries :

Austria	India	<u>ISO 4050:1977</u>
Brazil	Ireland	Romania
Chile	Italy	Spain
Czechoslovakia	Mexico	U.S.S.R.
France	Philippines	Yugoslavia
Hungary	Poland	

The member bodies of the following countries expressed disapproval of the document on technical grounds :

Germany
Netherlands
United Kingdom

Shipbuilding – Inland vessels – “Rhine” and Hall’s stockless anchors

iTeh STANDARD PREVIEW (standards.iteh.ai)

1 SCOPE AND FIELD OF APPLICATION

This International Standard specifies the main characteristics of “Rhine” and Hall’s stockless anchors used in vessels for inland waterways.

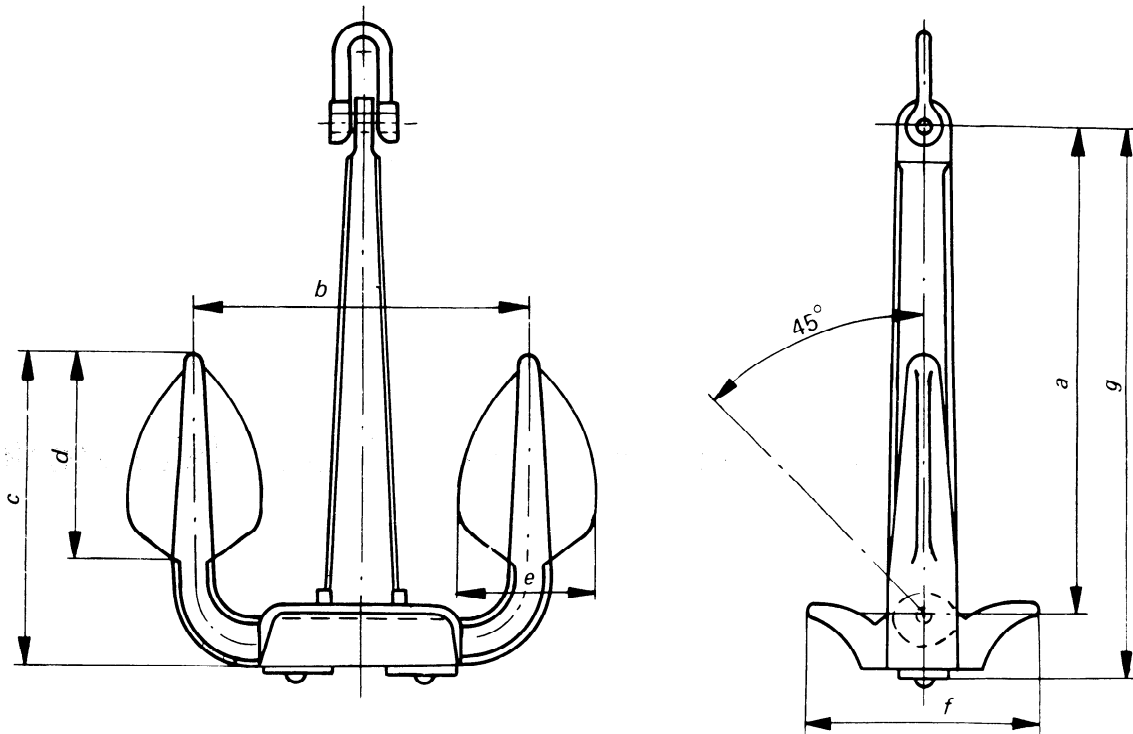
2 CLASSIFICATION

Depending on their design, the stockless anchors specified in this International Standard fall into two types :

- a) “Rhine” anchor type;
- b) Hall’s anchor type.

3 DIMENSIONS AND TECHNICAL CHARACTERISTICS

The main dimensions and technical characteristics of the anchors are given in figures 1 and 2 and tables 1 and 2.



iTeh STANDARD PREVIEW

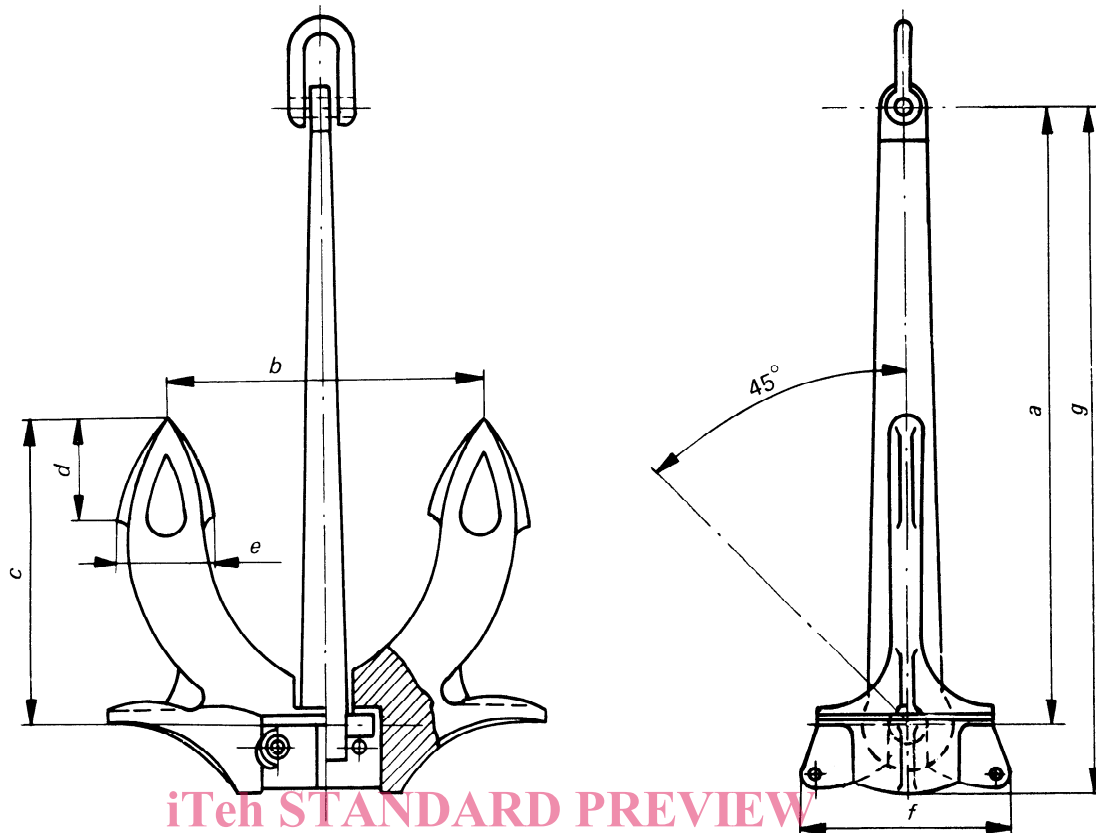
(standards.iteh.ai)

FIGURE 1 "Rhine" stockless anchor

ISO 4050-1977
 TABLE 1 — "Rhine" stockless anchors
<https://standards.iteh.ai/catalog/standards/sist/4e10d114-b331-45b9-b036-bcfcbec5f06/iso-4050-1977>
 Dimensions in millimetres

Mass kg	a	b	c	d	e	f	g
50	680	445	470	290	210	210	810
75	740	475	515	315	190	230	870
100	800	500	560	335	225	250	910
125	870	545	610	355	240	270	1 000
150	900	560	630	375	250	280	1 045
200	1 000	630	710	425	280	320	1 140
250	1 060	670	750	450	300	340	1 220
300	1 120	710	800	475	320	360	1 300
350	1 180	750	850	500	340	380	1 355
400	1 250	800	900	530	360	400	1 440
450	1 300	815	930	550	370	410	1 500
500	1 320	850	950	560	380	425	1 550
600	1 400	900	1 000	600	400	450	1 630
700	1 500	950	1 060	630	425	475	1 720
800	1 600	1 000	1 120	670	450	500	1 800
900	1 650	1 030	1 160	690	465	525	1 870
1 000	1 700	1 060	1 180	710	475	530	1 940
1 200	1 800	1 120	1 250	750	500	560	2 050
1 400	1 900	1 180	1 320	800	530	600	2 170
1 600	2 000	1 250	1 400	850	560	630	2 280

NOTE — In some cases tolerances of $\pm 4\%$ on general dimensions and $+\frac{5}{0}\%$ on mass are allowed, if agreed to by the purchaser.



iTeh STANDARD PREVIEW
(standards.itih.ai)
 FIGURE 2 — Hall's stockless anchor

TABLE 2 — Hall's stockless anchors

ISO 4050:1977

Dimensions in millimetres

<https://standards.itih.ai/catalog/standards/sist/4e10d114-b331-45b9-b036-bcfcbcdc5f06/iso-4050-1977>

Mass kg	a	b	c	d	e	f	g
50	660	330	330	107	107	214	730
75	750	374	374	122	122	244	832
100	825	410	410	135	135	270	915
150	945	470	470	154	154	308	1 048
200	1 040	520	520	170	170	340	1 155
250	1 120	560	560	183	183	366	1 245
300	1 190	595	595	194	194	388	1 320
350	1 250	625	625	204	204	408	1 390
400	1 310	650	650	214	214	428	1 450
450	1 360	675	675	222	222	444	1 510
500	1 410	700	700	230	230	460	1 565
600	1 500	745	745	245	245	490	1 660
700	1 580	785	785	258	258	515	1 750
800	1 650	820	820	270	270	540	1 830
900	1 720	855	855	280	280	560	1 910
1 000	1 780	885	885	290	290	580	1 970
1 250	1 910	955	955	312	312	624	2 120
1 500	2 030	1 015	1 015	332	332	664	2 250
1 750	2 140	1 070	1 070	350	350	700	2 370
2 000	2 240	1 120	1 120	366	366	732	2 485
2 250	2 330	1 160	1 160	380	380	760	2 580
2 500	2 420	1 200	1 200	394	394	788	2 670
3 000	2 560	1 275	1 275	418	418	836	2 840

NOTE — In some cases tolerances of $\pm 4\%$ on general dimensions and $\begin{matrix} +5\% \\ 0 \end{matrix}$ on mass are allowed, if agreed to by the purchaser.

iTeh STANDARD PREVIEW
(standards.iteh.ai)

This page intentionally left blank

[ISO 4050:1977](#)

<https://standards.iteh.ai/catalog/standards/sist/4e10d114-b331-45b9-b036-bcfbedc5f06/iso-4050-1977>

iTeh STANDARD PREVIEW
(standards.iteh.ai)

This page intentionally left blank

[ISO 4050:1977](#)

<https://standards.iteh.ai/catalog/standards/sist/4e10d114-b331-45b9-b036-bcfcbec5f06/iso-4050-1977>

iTeh STANDARD PREVIEW
(standards.iteh.ai)

This page intentionally left blank

[ISO 4050:1977](#)

<https://standards.iteh.ai/catalog/standards/sist/4e10d114-b331-45b9-b036-bcfcbcdc5f06/iso-4050-1977>