

---

International Standard



4067/2

---

INTERNATIONAL ORGANIZATION FOR STANDARDIZATION • МЕЖДУНАРОДНАЯ ОРГАНИЗАЦИЯ ПО СТАНДАРТИЗАЦИИ • ORGANISATION INTERNATIONALE DE NORMALISATION

---

## Building and civil engineering drawings — Installations — Part 2 : Simplified representation of sanitary appliances

*Dessins de bâtiment et de génie civil — Installations —  
Partie 2 : Représentation simplifiée des appareils sanitaires*

First edition — 1980-10-15

**iTeh STANDARD PREVIEW**  
**(standards.iteh.ai)**

ISO 4067-2:1980

<https://standards.iteh.ai/catalog/standards/sist/7391fab-388a-4027-ac72-1f9385f1bda/iso-4067-2-1980>

## Foreword

ISO (the International Organization for Standardization) is a worldwide federation of national standards institutes (ISO member bodies). The work of developing International Standards is carried out through ISO technical committees. Every member body interested in a subject for which a technical committee has been set up has the right to be represented on that committee. International organizations, governmental and non-governmental, in liaison with ISO, also take part in the work.

Draft International Standards adopted by the technical committees are circulated to the member bodies for approval before their acceptance as International Standards by the ISO Council.

International Standard ISO 4067/2 was developed by Technical Committee ISO/TC 10, *Technical drawings*, and was circulated to the member bodies in November 1977.

**STANDARD PREVIEW**  
**(standards.iteh.ai)**

It has been approved by the member bodies of the following countries :

|                     |         |                       |
|---------------------|---------|-----------------------|
| Australia           | France  | South Africa, Rep. of |
| Belgium             | India   | Spain                 |
| Bulgaria            | Ireland | Sweden                |
| Canada              | Italy   | Turkey                |
| Chile               | Japan   | United Kingdom        |
| Czechoslovakia      | Mexico  | USSR                  |
| Egypt, Arab Rep. of | Norway  | Yugoslavia            |
| Finland             | Romania |                       |

<https://standards.iteh.ai/catalog/standards/sist/7391fab-388a-4027-ac72-19385f10ca10/iso-4067-2-1980>

The member bodies of the following countries expressed disapproval of the document on technical grounds :

Austria  
Germany, F. R.  
Netherlands  
Switzerland  
USA

# Building and civil engineering drawings — Installations — Part 2 : Simplified representation of sanitary appliances

## 1 Scope and field of application

This International Standard establishes simplified representations of sanitary appliances, for use on plans and diagrams of sanitary installations in buildings.

These representations are intended primarily for use on plans and diagrams to scale 1 : 50. For smaller scale drawings more simplified representations may be used, and for larger scale drawings, more detailed representations may be used. For diagrams the representation in the column "Elevation" will normally be appropriate.

If necessary, to make the drawing clearer, the views may be combined with symbols and/or abbreviated component references, which are explained on the drawing or elsewhere.

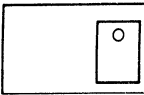
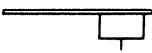
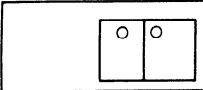
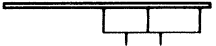

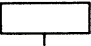
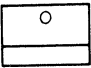
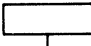
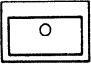
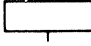
If stencils are used the corners of the representations might be rounded.

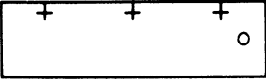
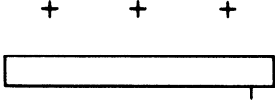
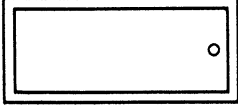
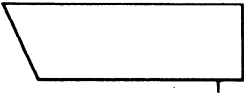
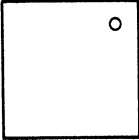
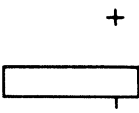
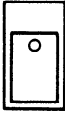






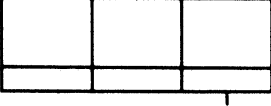
**iTeh STANDARD PREVIEW**

## 2 Principles of representation (standards.iteh.ai)

ISO 4067-2:1980

<https://standards.iteh.ai/catalog/standards/sist/7391fab-388a-4027-ac72-1f9385b1bda/iso-4067-2-1980>

| No. | Description                    | Plan                                                                                 | Elevation                                                                             |
|-----|--------------------------------|--------------------------------------------------------------------------------------|---------------------------------------------------------------------------------------|
| 2.1 | Single sink, left hand drainer |   |  |
| 2.2 | Double sink, left hand drainer |  |  |
| 2.3 | Cleaner's sink                 |   |  |
| 2.4 | Laundry sink                   |   |  |
| 2.5 | Wash basin                     |   |  |

| No.  | Description               | Plan                                                                                | Elevation                                                                             |
|------|---------------------------|-------------------------------------------------------------------------------------|---------------------------------------------------------------------------------------|
| 2.6  | Industrial washing trough |    |    |
| 2.7  | Bath                      |    |    |
| 2.8  | Shower tray               |    |    |
| 2.9  | Bidet                     |    |    |
| 2.10 | WC                        |   |   |
| 2.11 | Urinal bowl               |  |  |
| 2.12 | Urinal stalls             |  |  |

iTeh STANDARD PREVIEW  
(standards.iteh.ai)

ISO 4067/2-1980  
<https://standards.iteh.ai/catalog/standards/sist/7391fab-388a-4027-ac72-1f9385f1bda/iso-4067-2-1980>

NOTE — Waste holes should be located as required.