

---

International Standard



4074/6

---

INTERNATIONAL ORGANIZATION FOR STANDARDIZATION • МЕЖДУНАРОДНАЯ ОРГАНИЗАЦИЯ ПО СТАНДАРТИЗАЦИИ • ORGANISATION INTERNATIONALE DE NORMALISATION

---

**Rubber condoms —  
Part 6 : Determination of bursting volume and pressure**

*Préservatifs masculins en caoutchouc —  
Partie 6 : Détermination du volume et de la pression d'éclatement*

First edition — 1981-01-15

**ITeH STANDARD PREVIEW**  
**(standards.iteh.ai)**

[ISO 4074-6:1981](https://standards.iteh.ai/catalog/standards/sist/7941f915-d900-4ec3-a5a5-29ef5867ad1a/iso-4074-6-1981)

<https://standards.iteh.ai/catalog/standards/sist/7941f915-d900-4ec3-a5a5-29ef5867ad1a/iso-4074-6-1981>

---

UDC 615.477.86

Ref. No. ISO 4074/6-1981 (E)

Descriptors : contraceptives, rubber products, packages, labelling.

Price based on 2 pages

## Foreword

ISO (the International Organization for Standardization) is a worldwide federation of national standards institutes (ISO member bodies). The work of developing International Standards is carried out through ISO technical committees. Every member body interested in a subject for which a technical committee has been set up has the right to be represented on that committee. International organizations, governmental and non-governmental, in liaison with ISO, also take part in the work.

Draft International Standards adopted by the technical committees are circulated to the member bodies for approval before their acceptance as International Standards by the ISO Council.

International Standard ISO 4074/6 was developed by Technical Committee ISO/TC 157, *Mechanical contraceptives*, and was circulated to the member bodies in July 1979.

It has been approved by the member bodies of the following countries :

Brazil	India	Romania
Czechoslovakia	Italy	South Africa, Rep. of
Denmark	Korea, Rep. of	Sweden
Egypt, Arab Rep. of	Mexico	United Kingdom
France	Poland	USSR

The member bodies of the following countries expressed disapproval of the document on technical grounds :

Canada  
Netherlands  
USA

# Rubber condoms — Part 6 : Determination of bursting volume and pressure

*This part*  
iTeh STANDARD PREVIEW  
(standards.iteh.ai)

## 1 Scope and field of application

Part 6 of ISO 4074 specifies a method of determining the bursting volume and pressure of rubber condoms.

## 2 Principle

Inflation of a constant length of the condom with air and recording of the volume and pressure at the moment of bursting.

## 3 Apparatus

**3.1 Apparatus** suitable for inflating the condom with clean air at a specified rate and provided with equipment for measuring volume and pressure.

**3.2 Suitable mount** for fitting the condoms to the apparatus, as shown in the figure.

**3.3 Rod**, 140 mm in length having a smooth sphere 20 mm in diameter at its top (see the figure) for hanging the unrolled condom when fixed to the apparatus.

## 4 Procedure

**4.1** Unroll the condom, affix to the mount (3.2) and inflate with air at a rate of 0,4 to 0,5 dm<sup>3</sup>/s (24 to 30 dm<sup>3</sup>/min).

**4.2** Measure and note the bursting volume, in cubic decimetres rounded to the nearest 0,5 dm<sup>3</sup>, and the bursting pressure, in kilopascals rounded to the nearest 0,1 kPa.

## 5 Test report

The test report shall include the following particulars :

- a) the identification of the sample;
- b) the number of condoms bursting at volumes of less than 10 dm<sup>3</sup> and those bursting at pressures of less than 1 kPa;
- c) the number of condoms tested;
- d) the date of testing.

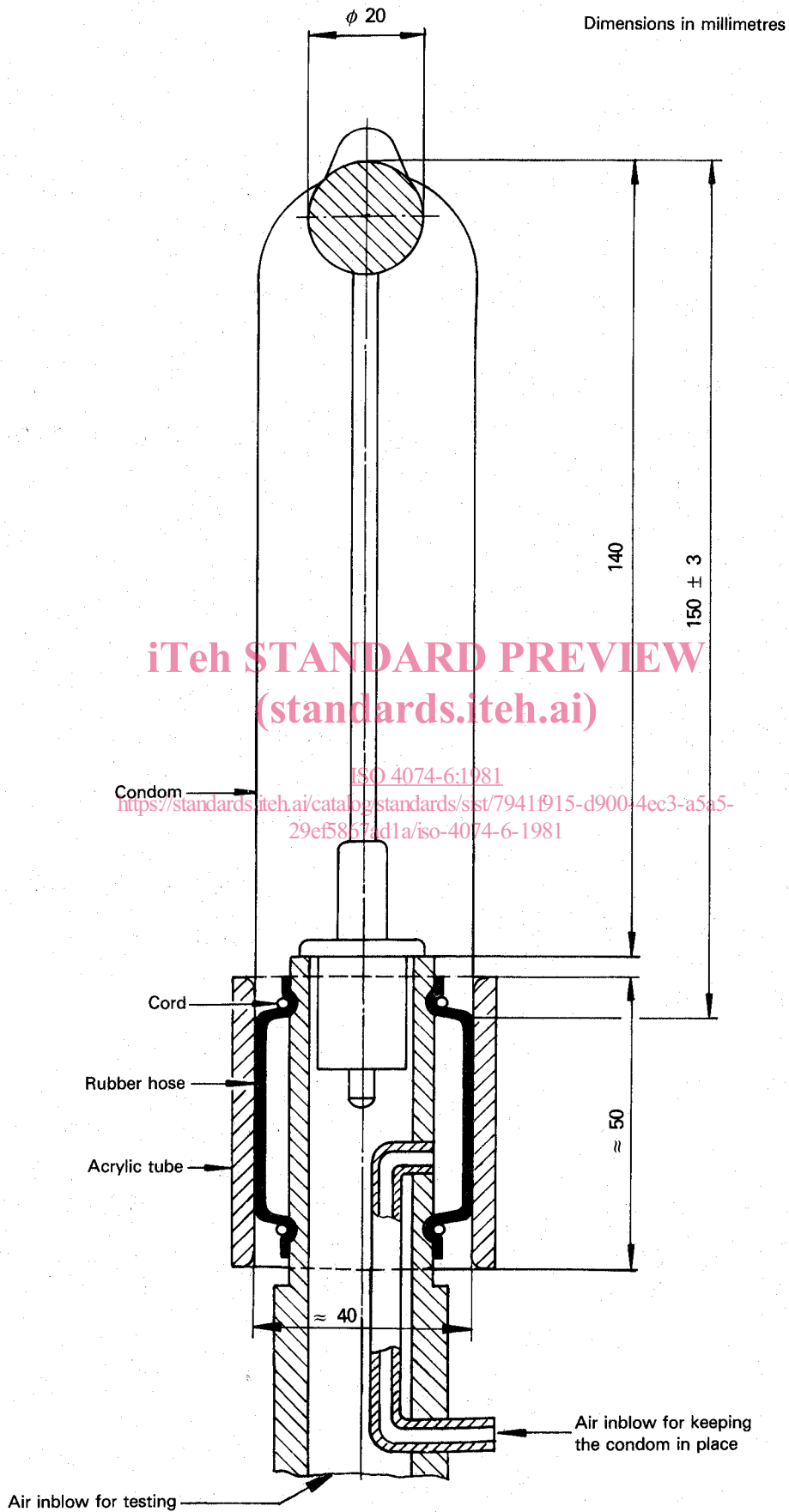


Figure — Details of apparatus