
International Standard



4086

INTERNATIONAL ORGANIZATION FOR STANDARDIZATION • МЕЖДУНАРОДНАЯ ОРГАНИЗАЦИЯ ПО СТАНДАРТИЗАЦИИ • ORGANISATION INTERNATIONALE DE NORMALISATION

Road vehicles — 90 semi-trailer fifth wheel coupling pin — Basic and mounting/interchangeability dimensions

Véhicules routiers — Pivot d'attelage de 90 pour semi-remorque — Dimensions de base et de montage/interchangeabilité

Second edition — 1982-03-01

ITeH STANDARD PREVIEW
(standards.iteh.ai)

[ISO 4086:1982](https://standards.iteh.ai/catalog/standards/sist/e60ec631-32a9-4430-88ac-fc514caf9593/iso-4086-1982)

<https://standards.iteh.ai/catalog/standards/sist/e60ec631-32a9-4430-88ac-fc514caf9593/iso-4086-1982>

UDC 629.11.013.5 : 629.114.3

Ref. No. ISO 4086-1982 (E)

Descriptors : road vehicles, semitrailers, couplings, pins, mountings, dimensions, dimensional tolerances, interchangeability.

Foreword

ISO (the International Organization for Standardization) is a worldwide federation of national standards institutes (ISO member bodies). The work of developing International Standards is carried out through ISO technical committees. Every member body interested in a subject for which a technical committee has been set up has the right to be represented on that committee. International organizations, governmental and non-governmental, in liaison with ISO, also take part in the work.

Draft International Standards adopted by the technical committees are circulated to the member bodies for approval before their acceptance as International Standards by the ISO Council.

International Standard ISO 4086 was developed by Technical Committee ISO/TC 22, *Road vehicles*, and was circulated to the member bodies in April 1980.

ITeH STANDARD PREVIEW
(standards.iteh.ai)

It has been approved by the member bodies of the following countries :

Austria	India	South Africa, Rep. of
Belgium	Italy	Spain
Brazil	Japan	Sweden
China	Korea, Dem. P. Rep. of	Switzerland
Czechoslovakia	Korea, Rep. of	United Kingdom
Egypt, Arab Rep. of	Netherlands	USSR
France	Poland	
Germany, F. R.	Romania	

The member bodies of the following countries expressed disapproval of the document on technical grounds :

Australia
USA

This second edition cancels and replaces the first edition (i.e. ISO 4086-1977).

Road vehicles — 90 semi-trailer fifth wheel coupling pin — Basic and mounting/interchangeability dimensions

1 Scope and field of application

This International Standard specifies the dimensions of the 90 [ϕ 89 mm (3.5 in)] fifth wheel coupling pin which is used for coupling extra-heavy-duty vehicles exceeding the limitations of weight generally laid down by official requirements.

In addition, this International Standard specifies the dimensional characteristics required for mounting and interchangeability.

iTeh STANDARD PREVIEW
(standards.iteh.ai)

2 Reference

ISO 4086:1982

ISO 337, Road vehicles — 50 semi-trailer fifth wheel coupling pins/Dimensions
fc514caf9593/iso-4086-1982

3 Basic functional dimensions of the coupling pin

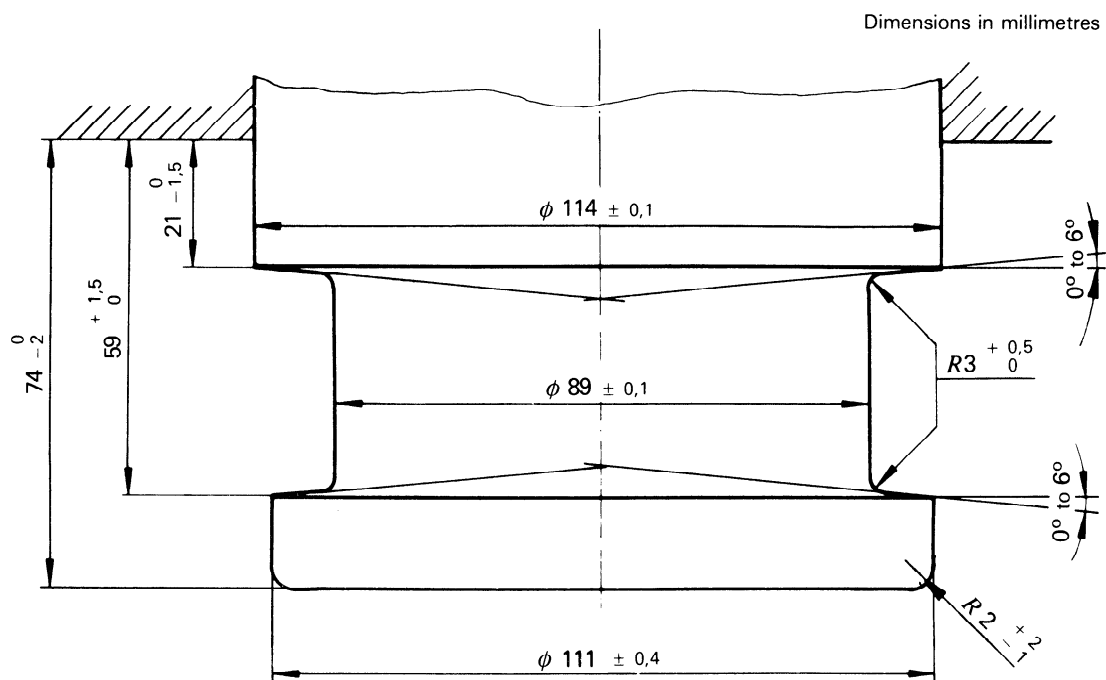
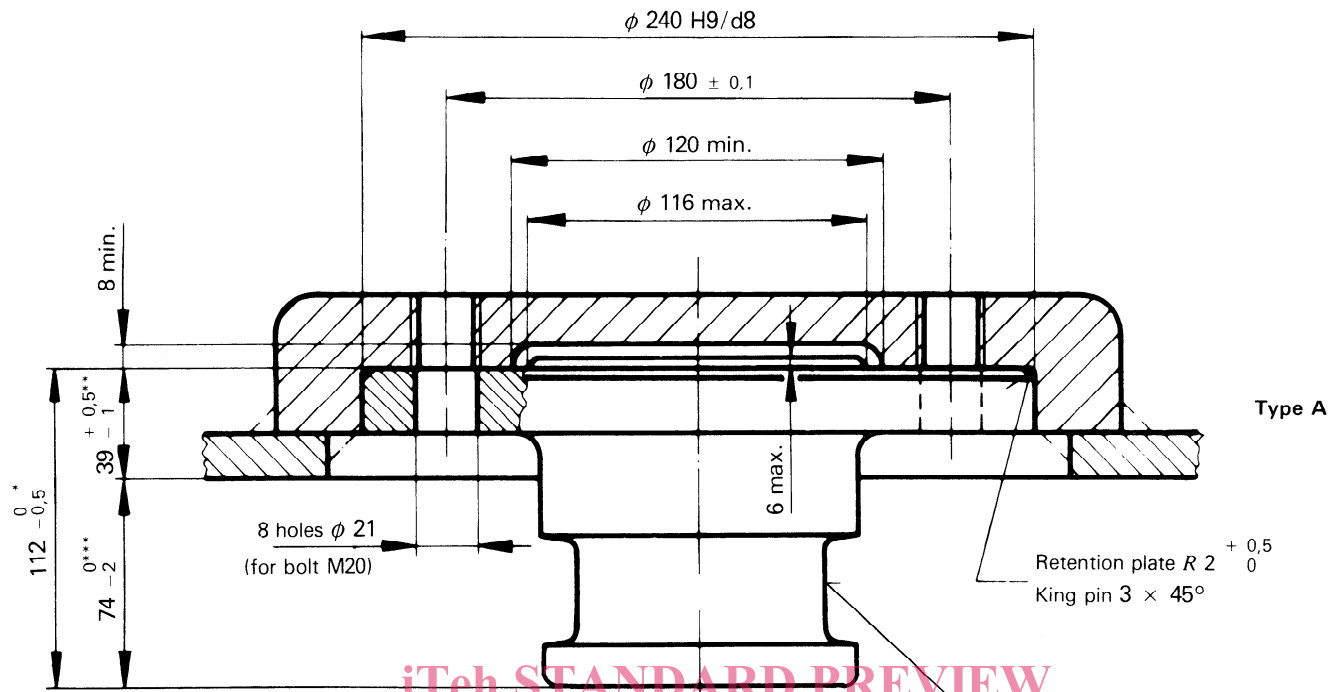


Figure 1

4 Dimensional characteristics for mounting and interchangeability

Dimensions in millimetres



iTeh STANDARD PREVIEW
(standards.iteh.ai)
Figure 2

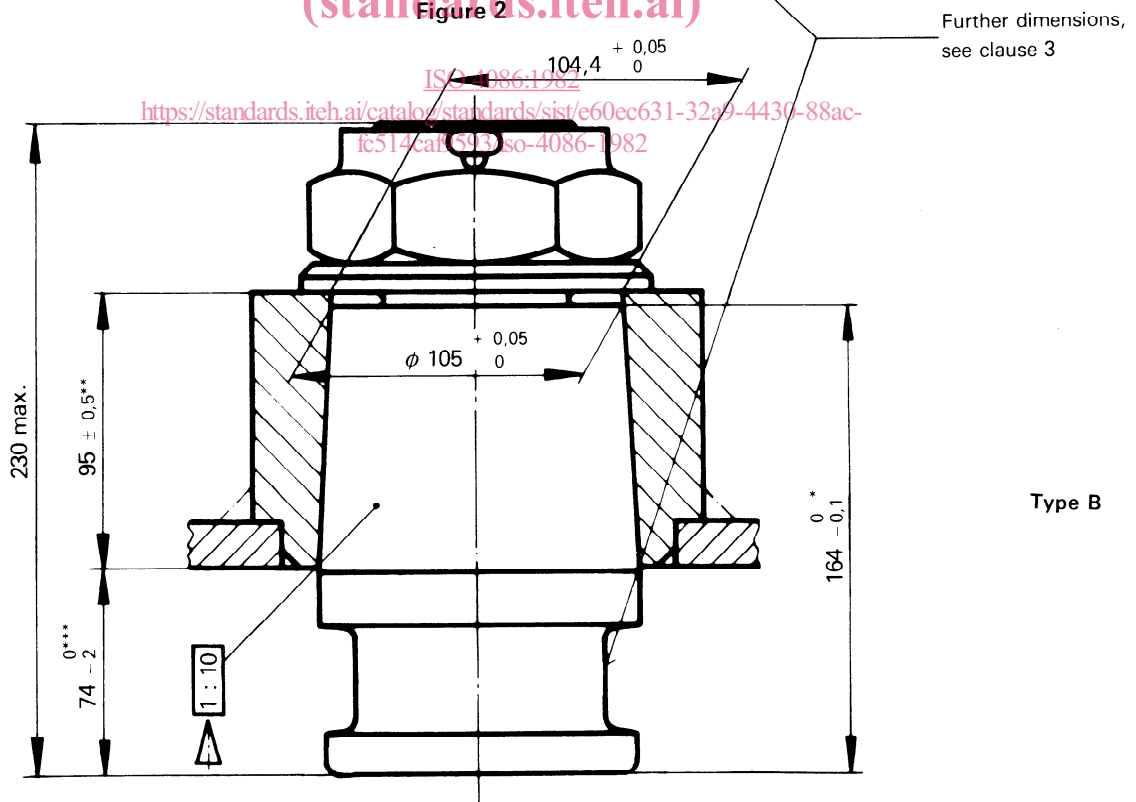


Figure 3

* The dimensions $112\ \begin{smallmatrix} 0 \\ -0.5 \end{smallmatrix}$ (type A) and $164\ \begin{smallmatrix} 0 \\ -0.1 \end{smallmatrix}$ (type B) correspond to the respective pivot dimensions.

** The dimensions $39\ \begin{smallmatrix} +0.5 \\ -1 \end{smallmatrix}$ (type A) and 95 ± 0.5 (type B) are to be checked before mounting a new part.

*** The dimension $74\ \begin{smallmatrix} 0 \\ -2 \end{smallmatrix}$ (types A and B) is a control dimension for built-in new pin (i.e. to be checked after mounting).