

INTERNATIONAL STANDARD

NORME INTERNATIONALE



**Devices for the connection of luminaires for household and similar purposes –
Part 2: Standard sheets for DCL**

**Dispositifs de connexion pour luminaires pour usage domestique et analogue –
Partie 2: Feuilles de norme pour DCL**

IEC 61995-2:2009

<https://standards.iteh.ai/catalog/standards/iec/5094434d-bf3a-4672-951e-1c46e22e7f17/iec-61995-2-2009>





THIS PUBLICATION IS COPYRIGHT PROTECTED
Copyright © 2016 IEC, Geneva, Switzerland

All rights reserved. Unless otherwise specified, no part of this publication may be reproduced or utilized in any form or by any means, electronic or mechanical, including photocopying and microfilm, without permission in writing from either IEC or IEC's member National Committee in the country of the requester. If you have any questions about IEC copyright or have an enquiry about obtaining additional rights to this publication, please contact the address below or your local IEC member National Committee for further information.

Droits de reproduction réservés. Sauf indication contraire, aucune partie de cette publication ne peut être reproduite ni utilisée sous quelque forme que ce soit et par aucun procédé, électronique ou mécanique, y compris la photocopie et les microfilms, sans l'accord écrit de l'IEC ou du Comité national de l'IEC du pays du demandeur. Si vous avez des questions sur le copyright de l'IEC ou si vous désirez obtenir des droits supplémentaires sur cette publication, utilisez les coordonnées ci-après ou contactez le Comité national de l'IEC de votre pays de résidence.

IEC Central Office
3, rue de Varembe
CH-1211 Geneva 20
Switzerland

Tel.: +41 22 919 02 11
Fax: +41 22 919 03 00
info@iec.ch
www.iec.ch

About the IEC

The International Electrotechnical Commission (IEC) is the leading global organization that prepares and publishes International Standards for all electrical, electronic and related technologies.

About IEC publications

The technical content of IEC publications is kept under constant review by the IEC. Please make sure that you have the latest edition, a corrigenda or an amendment might have been published.

IEC Catalogue - webstore.iec.ch/catalogue

The stand-alone application for consulting the entire bibliographical information on IEC International Standards, Technical Specifications, Technical Reports and other documents. Available for PC, Mac OS, Android Tablets and iPad.

IEC publications search - www.iec.ch/searchpub

The advanced search enables to find IEC publications by a variety of criteria (reference number, text, technical committee,...). It also gives information on projects, replaced and withdrawn publications.

IEC Just Published - webstore.iec.ch/justpublished

Stay up to date on all new IEC publications. Just Published details all new publications released. Available online and also once a month by email.

Electropedia - www.electropedia.org

The world's leading online dictionary of electronic and electrical terms containing 20 000 terms and definitions in English and French, with equivalent terms in 15 additional languages. Also known as the International Electrotechnical Vocabulary (IEV) online.

IEC Glossary - std.iec.ch/glossary

65 000 electrotechnical terminology entries in English and French extracted from the Terms and Definitions clause of IEC publications issued since 2002. Some entries have been collected from earlier publications of IEC TC 37, 77, 86 and CISPR.

IEC Customer Service Centre - webstore.iec.ch/csc

If you wish to give us your feedback on this publication or need further assistance, please contact the Customer Service Centre: csc@iec.ch.

A propos de l'IEC

La Commission Electrotechnique Internationale (IEC) est la première organisation mondiale qui élabore et publie des Normes internationales pour tout ce qui a trait à l'électricité, à l'électronique et aux technologies apparentées.

A propos des publications IEC

Le contenu technique des publications IEC est constamment revu. Veuillez vous assurer que vous possédez l'édition la plus récente, un corrigendum ou amendement peut avoir été publié.

Catalogue IEC - webstore.iec.ch/catalogue

Application autonome pour consulter tous les renseignements bibliographiques sur les Normes internationales, Spécifications techniques, Rapports techniques et autres documents de l'IEC. Disponible pour PC, Mac OS, tablettes Android et iPad.

Recherche de publications IEC - www.iec.ch/searchpub

La recherche avancée permet de trouver des publications IEC en utilisant différents critères (numéro de référence, texte, comité d'études,...). Elle donne aussi des informations sur les projets et les publications remplacées ou retirées.

IEC Just Published - webstore.iec.ch/justpublished

Restez informé sur les nouvelles publications IEC. Just Published détaille les nouvelles publications parues. Disponible en ligne et aussi une fois par mois par email.

Electropedia - www.electropedia.org

Le premier dictionnaire en ligne de termes électroniques et électriques. Il contient 20 000 termes et définitions en anglais et en français, ainsi que les termes équivalents dans 15 langues additionnelles. Egalement appelé Vocabulaire Electrotechnique International (IEV) en ligne.

Glossaire IEC - std.iec.ch/glossary

65 000 entrées terminologiques électrotechniques, en anglais et en français, extraites des articles Termes et Définitions des publications IEC parues depuis 2002. Plus certaines entrées antérieures extraites des publications des CE 37, 77, 86 et CISPR de l'IEC.

Service Clients - webstore.iec.ch/csc

Si vous désirez nous donner des commentaires sur cette publication ou si vous avez des questions contactez-nous: csc@iec.ch.



IEC 61995-2

Edition 1.1 2016-05
CONSOLIDATED VERSION

INTERNATIONAL STANDARD

NORME INTERNATIONALE



**Devices for the connection of luminaires for household and similar purposes –
Part 2: Standard sheets for DCL**

**Dispositifs de connexion pour luminaires pour usage domestique et analogue –
Partie 2: Feuilles de norme pour DCL**

<https://standards.iteh.ai/>

<https://standards.iteh.ai/catalog/standards/iec/5094434d-b3a-4672-951e-1c46e22e7f17/iec-61995-2-2009>

INTERNATIONAL
ELECTROTECHNICAL
COMMISSION

COMMISSION
ELECTROTECHNIQUE
INTERNATIONALE

ICS 29.120.20; 29.140.40

ISBN 978-2-8322-3430-3

**Warning! Make sure that you obtained this publication from an authorized distributor.
Attention! Veuillez vous assurer que vous avez obtenu cette publication via un distributeur agréé.**

REDLINE VERSION

VERSION REDLINE



**Devices for the connection of luminaires for household and similar purposes –
Part 2: Standard sheets for DCL**

**Dispositifs de connexion pour luminaires pour usage domestique et analogue –
Partie 2: Feuilles de norme pour DCL**

IEC 61995-2:2009

<https://standards.iteh.ai/catalog/standards/iec/5094434d-bf3a-4672-951e-1c46e22e7f17/iec-61995-2-2009>

CONTENTS

FOREWORD.....	3
1 Scope	5
2 Normative references	5
3 Requirements and tests	5
4 Standard sheets	5
Figure 1 – Example of use of a DCL socket and a DCL plug inserted in a flush type box in a ceiling.....	16

iTeh Standards
(<https://standards.iteh.ai>)
Document Preview

[IEC 61995-2:2009](#)

<https://standards.iteh.ai/catalog/standards/iec/5094434d-bf3a-4672-951e-1c46e22e7f17/iec-61995-2-2009>

INTERNATIONAL ELECTROTECHNICAL COMMISSION

**DEVICES FOR THE CONNECTION OF LUMINAIRES
FOR HOUSEHOLD AND SIMILAR PURPOSES –**

Part 2: Standard sheets for DCL

FOREWORD

- 1) The International Electrotechnical Commission (IEC) is a worldwide organization for standardization comprising all national electrotechnical committees (IEC National Committees). The object of IEC is to promote international co-operation on all questions concerning standardization in the electrical and electronic fields. To this end and in addition to other activities, IEC publishes International Standards, Technical Specifications, Technical Reports, Publicly Available Specifications (PAS) and Guides (hereafter referred to as "IEC Publication(s)"). Their preparation is entrusted to technical committees; any IEC National Committee interested in the subject dealt with may participate in this preparatory work. International, governmental and non-governmental organizations liaising with the IEC also participate in this preparation. IEC collaborates closely with the International Organization for Standardization (ISO) in accordance with conditions determined by agreement between the two organizations.
- 2) The formal decisions or agreements of IEC on technical matters express, as nearly as possible, an international consensus of opinion on the relevant subjects since each technical committee has representation from all interested IEC National Committees.
- 3) IEC Publications have the form of recommendations for international use and are accepted by IEC National Committees in that sense. While all reasonable efforts are made to ensure that the technical content of IEC Publications is accurate, IEC cannot be held responsible for the way in which they are used or for any misinterpretation by any end user.
- 4) In order to promote international uniformity, IEC National Committees undertake to apply IEC Publications transparently to the maximum extent possible in their national and regional publications. Any divergence between any IEC Publication and the corresponding national or regional publication shall be clearly indicated in the latter.
- 5) IEC itself does not provide any attestation of conformity. Independent certification bodies provide conformity assessment services and, in some areas, access to IEC marks of conformity. IEC is not responsible for any services carried out by independent certification bodies.
- 6) All users should ensure that they have the latest edition of this publication.
- 7) No liability shall attach to IEC or its directors, employees, servants or agents including individual experts and members of its technical committees and IEC National Committees for any personal injury, property damage or other damage of any nature whatsoever, whether direct or indirect, or for costs (including legal fees) and expenses arising out of the publication, use of, or reliance upon, this IEC Publication or any other IEC Publications.
- 8) Attention is drawn to the Normative references cited in this publication. Use of the referenced publications is indispensable for the correct application of this publication.
- 9) Attention is drawn to the possibility that some of the elements of this IEC Publication may be the subject of patent rights. IEC shall not be held responsible for identifying any or all such patent rights.

This consolidated version of the official IEC Standard and its amendment has been prepared for user convenience.

IEC 61995-2 edition 1.1 contains the first edition (2009-02) [documents 23B/919/FDIS and 23B/925/RVD] and its amendment 1 (2016-05) [documents 23B/1207/FDIS and 23B/1211/RVD].

In this Redline version, a vertical line in the margin shows where the technical content is modified by amendment 1. Additions are in green text, deletions are in strikethrough red text. A separate Final version with all changes accepted is available in this publication.

International Standard IEC 61995-2 has been prepared by subcommittee 23B: Plugs, socket-outlets and switches, of IEC technical committee 23: Electrical accessories.

This publication has been drafted in accordance with the ISO/IEC Directives, Part 2.

This standard is to be read in conjunction with IEC 61995-1.

A list of all the parts in the IEC 61995 series, under the general title *Devices for the connection of luminaires for household and similar purposes*, can be found on the IEC website.

The committee has decided that the contents of the base publication and its amendment will remain unchanged until the stability date indicated on the IEC web site under "<http://webstore.iec.ch>" in the data related to the specific publication. At this date, the publication will be

- reconfirmed,
- withdrawn,
- replaced by a revised edition, or
- amended.

IMPORTANT – The 'colour inside' logo on the cover page of this publication indicates that it contains colours which are considered to be useful for the correct understanding of its contents. Users should therefore print this document using a colour printer.

Document Preview

[IEC 61995-2:2009](#)

<https://standards.iteh.ai/catalog/standards/iec/5094434d-bf3a-4672-951e-1c46e22e7f17/iec-61995-2-2009>

DEVICES FOR THE CONNECTION OF LUMINAIRES FOR HOUSEHOLD AND SIMILAR PURPOSES –

Part 2: Standard sheets for DCL

1 Scope

This part of IEC 61995, which is to be read in conjunction with IEC 61995-1, applies to devices for the connection of luminaires (DCL) 250 V, 6 A a.c. intended for household and similar purposes, for the electrical connection to final circuits rated not more than 16 A, without providing mechanical support for the luminaire.

2 Normative references

The following referenced documents are indispensable for the application of this document. For dated references, only the edition cited applies. For undated references, the latest edition of the referenced document (including any amendments) applies.

IEC 61995-1:2005, *Devices for the connection of luminaires for household and similar purposes – Part 1: General requirements*

3 Requirements and tests

Devices for the connection of luminaires shall comply with all the relevant requirements of ~~Part 1~~ (IEC 61995-1). In particular,

- devices for the connection of luminaires classified according to IEC 61995-1:2016, 7.1 a) ~~in Part 1~~ shall comply with the relevant standard sheets of this part-2 of IEC 61995;
- these devices require provision of information in accordance with ~~Subclause IEC 61995-1:2016, 8.3 of Part 1~~;
- these devices shall comply with IEC 61995-1:2016, Clause 20 ~~of Part 1~~ with the following modification.

~~Replacement of the last two paragraphs in Clause 20 of Part 1 by the following new paragraph:~~

~~In no single movement shall the force required to insert or withdraw the plug exceed 50 N nor shall it be less than 10 N.~~

Addition of the following new paragraph:

In addition, the force required to withdraw the plug with its enabled locking means shall not be less than 10 N.

NOTE In the following country the withdrawal force with the locking means enabled shall not exceed 50 N: NO, SE

4 Standard sheets

This part contains the following Standard Sheets:

Standard Sheet 1-1: DCL outlet, 6 A 250 V a.c. 2 P + E

Standard Sheet 1-2: DCL plug, 6 A 250 V a.c. 2 P + E

Standard Sheet 1-3: DCL plug, 6 A 250 V a.c. 2 P

Standard sheet 1-4: Gauge for testing DCL plug functions

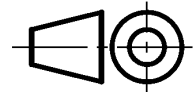
This part of IEC 61995 contains also an example of the use of the above DCL inserted in a flush type box in a ceiling (see Figure 1).

iTeh Standards
(<https://standards.iteh.ai>)
Document Preview

[IEC 61995-2:2009](#)

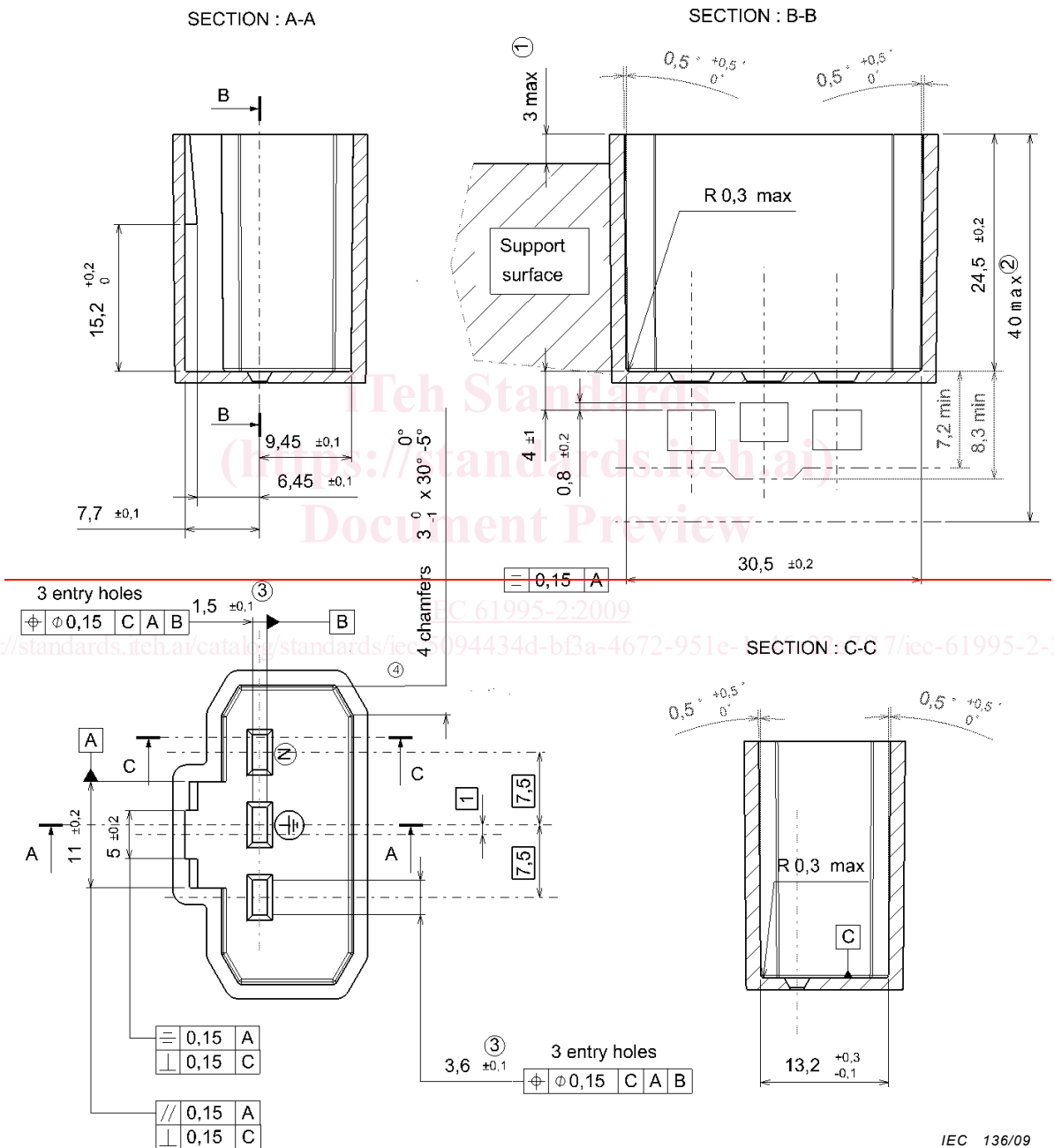
<https://standards.iteh.ai/catalog/standards/iec/5094434d-bf3a-4672-951e-1c46e22e7f17/iec-61995-2-2009>

DEVICES FOR THE CONNECTION OF LUMINAIRES
FOR HOUSEHOLD AND SIMILAR PURPOSES
STANDARD SHEET 1-1
DCL OUTLET 6 A 250 V a.c. 2 P +



Dimensions in millimetres

The drawing is intended only to illustrate the essential dimensions for interchangeability.



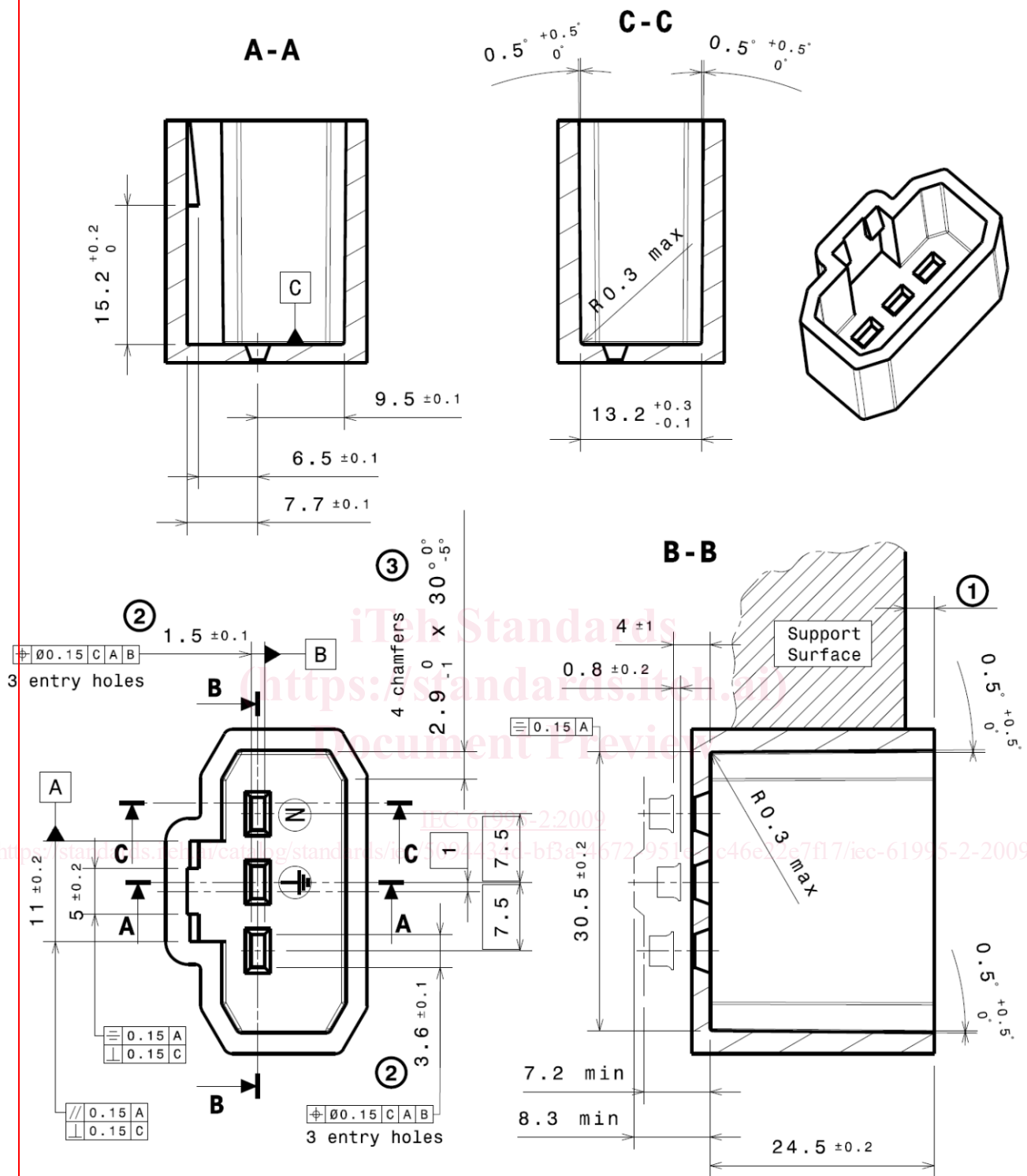
Radius without dimensions: 0,5 mm max.

1 This dimension concerns only the flush type DCL outlet.

2 The overall dimension of the DCL outlet shall be less than or equal to 40 mm.

3 Entry holes slightly rounded or sloped to ensure an easy introduction of the pins of the DCL plug.

4 Angle $0,5^{\circ} \begin{smallmatrix} +0,5 \\ 0 \end{smallmatrix}$ concerns also chamfers.

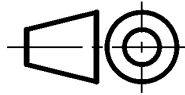


Notes for STANDARD SHEET 1-1:

Radius without dimensions: 0,5 mm max.

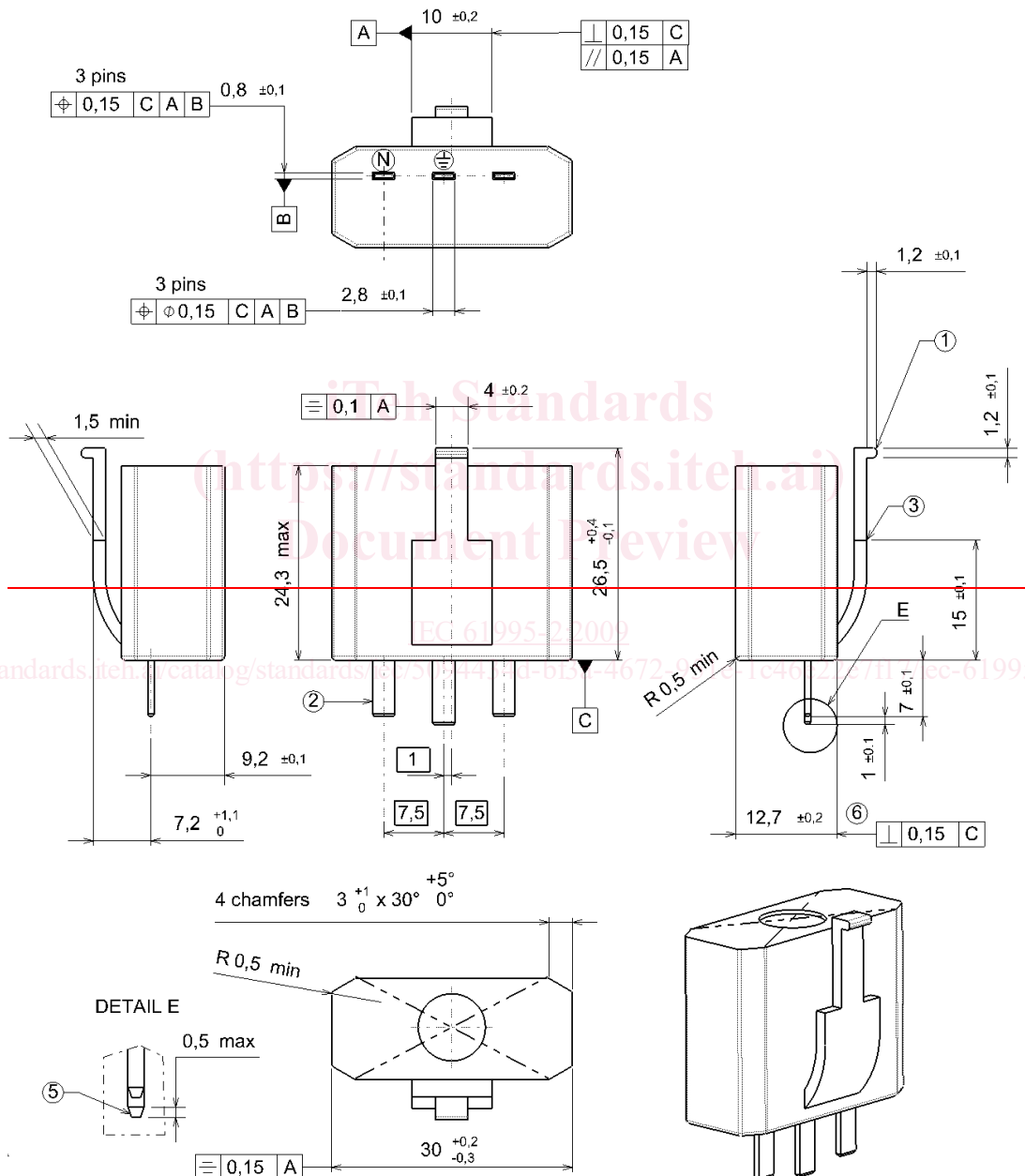
- 1 It is recommended for flush-type DCL outlets, that this dimension does not exceed 3 mm.
- 2 Entry holes slightly rounded or chamfered to ensure an easy introduction of the pins of the DCL plug.
- 3 Angle 0,5°^{+0,5°}_{0°} concerns also the chamfers of the recess contour.

DEVICES FOR THE CONNECTION OF LUMINAIRES
FOR HOUSEHOLD AND SIMILAR PURPOSES
STANDARD SHEET 1-2
DCL PLUG 6 A 250 V a.c. 2 P +



Dimensions in millimetres

The drawing is intended only to illustrate the essential dimensions for interchangeability.



IEC 137/09

Radius without dimensions: 0,5 mm min.

1— This part shall be resilient.

2— The section of the pins of the DCL plug shall have the same dimensions.

3— The retention means shall be designed by the DCL plug manufacturer to ensure the withdrawal force according to Clause 3.

4— The DCL plug shall enter without undue force into the min. gauge, representing the smallest possible entry hole.

5— The pins of the DCL plug shall be slightly rounded or sloped to ensure their easy introduction in the entry holes of the DCL outlet.

6—This dimension shall be kept within 6 mm min. from the reference face C.

