



ISO Technical Reports are subject to review within three years of publication, with the aim of achieving the agreements necessary for the publication of an International Standard.

Equipment for working the soil — Dimensions of flat disks — Type A

Matériel de travail du sol — Dimensions des disques plats — Type A

Technical Report 4122 was drawn up by Technical Committee ISO/TC 23, *Tractors and machinery for agriculture and forestry*, and approved by the majority of its members.

It is based on a proposal to standardize the classification of the principal fixing dimensions and specifications for agricultural disks to ensure interchangeability for a minimum number of types and classes of disks adapted to the requirements of a broad range of working conditions.

However, only one part of this proposal, sub-clause 5.1, Nominal dimensions, relating to Type A disks, is covered in this Technical Report. The principal fixing dimensions and the number of these still have to be specified bearing in mind that the values for the "nominal diameters" D and "thickness" b have been agreed.

The other part of the proposal is covered in ISO 5679.

In May 1977, this document was submitted to the ISO Council, which approved its publication as a Technical Report.

<https://standards.iteh.ai/catalog/standards/sist/9ef82cca-6895-455e-ae39-f8856a80792f/iso-tr-4122-1977>

0 INTRODUCTION

See ISO 5679.

1 SCOPE

See ISO 5679.

2 FIELD OF APPLICATION

See ISO 5679.

3 REFERENCE

ISO 5679, *Equipment for working the soil — Disks — Classification, principal fixing dimensions and specifications*.¹⁾

1) At present at the stage of draft.

4 CLASSIFICATION

See ISO 5679.

5 SPECIFICATIONS

5.1 Nominal dimensions

The nominal dimensions recommended for disks in the table are those given for type A flat disks.

5.2 Cutting edge bevelling

See ISO 5679.

5.3 Eccentricity and wobble

See ISO 5679.

5.4 Flatness

See ISO 5679.

TABLE – Flat disks – Type A

Dimensions in millimetres

Nominal diameter $D \pm 10$	Central hole diameter d	Fixing holes			Thickness b^*	
		P.C.D. d_1	Diameter d_2	Number		
250	42	60	8	3	2,5-3,5	
		64	6,5			
300	48	70	10,7	3	2,5-3,5	
		75	6,5			
350	32	92	6,6	5	2,5-4,0	
		50	85	10,7		3
		65	70	8,5		4
		400	50	85		10,7
60	85	9,0	4			
65	100	8,5	6			
450	50	75	100	10,7	4	4-6
		85	85	8,5	6	
		75	100	10,7	4	
		80	105	11	4	
500	50	85	85	10,7	4	5-8
		65	85	8,5	6	
		75	100	10,7	4	
		80	125	11	4	
550	50	85	85	10,7	4	5-8
		65	130	8,5	6	
		75	100	10,7	4	
		105	125	11	4	
600	75	100	10,7	6	5-8	
		105	130	13		6
800	105	150	15	6	8	

* Values D and b have already been agreed.

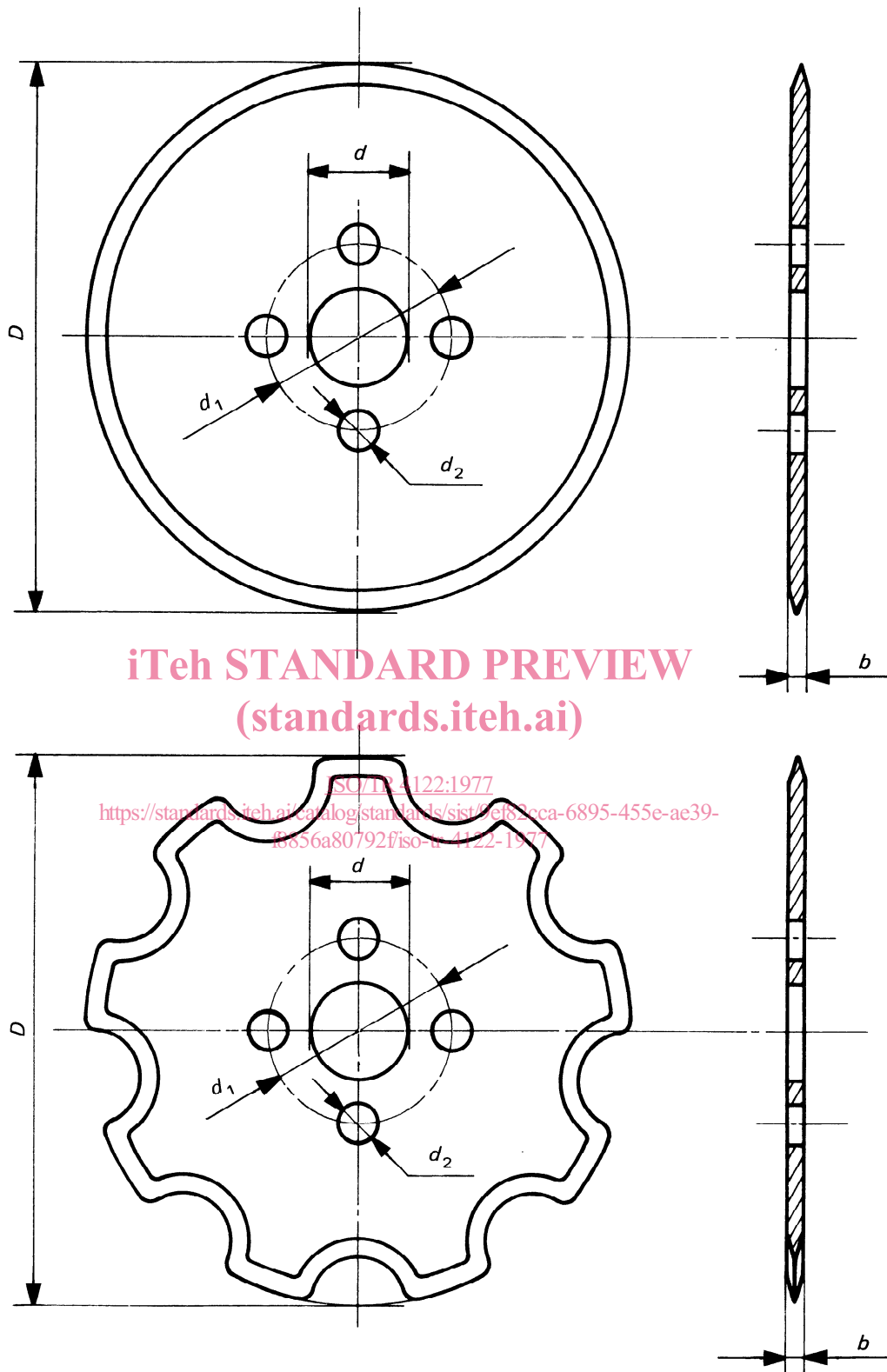


FIGURE – Flat disks – Type A

iTeh STANDARD PREVIEW
(standards.iteh.ai)

This page intentionally left blank

[ISO/TR 4122:1977](#)

<https://standards.iteh.ai/catalog/standards/sist/9ef82cca-6895-455e-ac39-f8856a80792f/iso-tr-4122-1977>