

---

International Standard



4127/1

---

INTERNATIONAL ORGANIZATION FOR STANDARDIZATION • МЕЖДУНАРОДНАЯ ОРГАНИЗАЦИЯ ПО СТАНДАРТИЗАЦИИ • ORGANISATION INTERNATIONALE DE NORMALISATION

---

## Shipbuilding — Inland navigation — Fairleads — Part 1 : Two-lip fairleads

*Construction navale — Navigation intérieure — Chaumards — Partie 1 : Chaumards à deux lèvres*

First edition — 1979-07-01

ITeH STANDARD PREVIEW  
(standards.iteh.ai)

ISO 4127-1:1979

<https://standards.iteh.ai/catalog/standards/sist/44155cb5-2bf2-4e08-a87e-f187254b69a3/iso-4127-1-1979>

## Foreword

ISO (the International Organization for Standardization) is a worldwide federation of national standards institutes (ISO member bodies). The work of developing International Standards is carried out through ISO technical committees. Every member body interested in a subject for which a technical committee has been set up has the right to be represented on that committee. International organizations, governmental and non-governmental, in liaison with ISO, also take part in the work.

Draft International Standards adopted by the technical committees are circulated to the member bodies for approval before their acceptance as International Standards by the ISO Council.

International Standard ISO 4127/1 was developed by Technical Committee ISO/TC 8, *Shipbuilding*, and was circulated to the member bodies in June 1977.

It has been approved by the member bodies of the following countries :

Austria	Greece	Netherlands
Belgium	India	Poland
Brazil	Ireland	Romania
Bulgaria	Italy	Spain
Czechoslovakia	Japan	Turkey
Finland	Korea, Dem.P.Rep. of	United Kingdom
France	Korea, Rep. of	USSR
Germany, F.R.	Mexico	

No member body expressed disapproval of the document.

# Shipbuilding — Inland navigation — Fairleads — Part 1 : Two-lip fairleads

## iTeh STANDARD PREVIEW (standards.iteh.ai)

### 1 Scope and field of application

This International Standard specifies the design, sizes, basic parameters and technical requirements of cast two-lip fairleads for inland vessels.

### 2 Reference

ISO 2408, *Steel wire ropes for general purposes — Characteristics*.

### 3 Design

3.1 The design of two-lip fairleads shall be as shown in the figure.

3.2 The basic dimensions and properties specified in this International Standard correspond to the following seven loads: 25, 40, 63, 100, 160, 250, 400 kN.

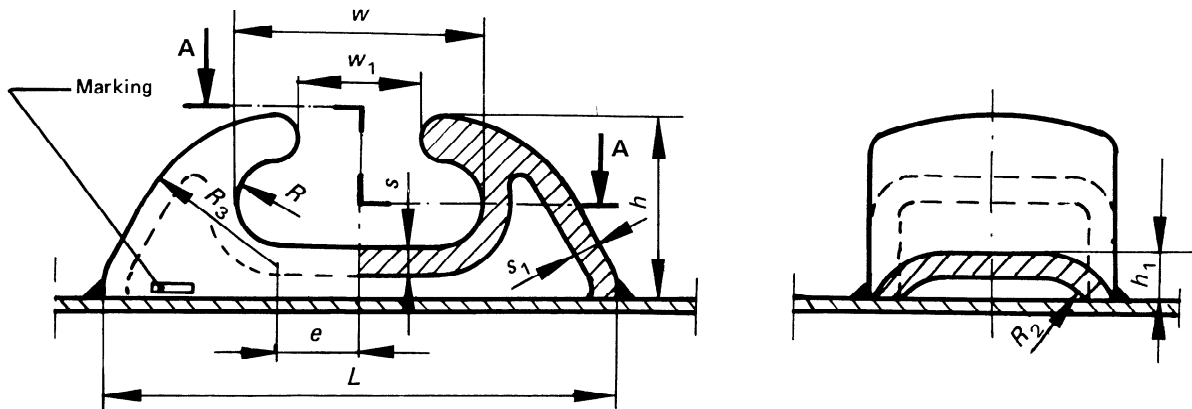
### 4 Technical requirements

4.1 These fairleads shall withstand, without damage and plastic deformation, the breaking load of a steel wire rope as indicated in the table.

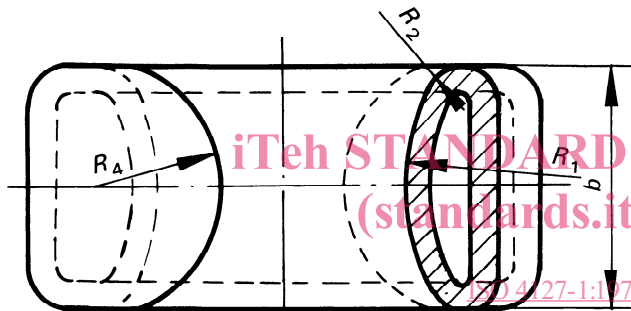
4.2 Fairleads of this type shall be fabricated from weldable cast steel having a yield point of not less than  $22 \times 10^4$  kN/m<sup>2</sup> (22 kgf/mm<sup>2</sup>).

4.3 Finish :

- annealed and cleaned (sand-blasted) casting.



Section A-A



iTeh STANDARD PREVIEW  
(standards.iteh.ai)

<https://standards.iteh.ai/catalog/standards/sist/44155cb5-2bf2-4e08-a87e-f187254b69a3/iso-4127-1-1979>

Size	$b$	$e$	$h$	$h_1$	$L$	$R$	$R_1$	$R_2$	$R_3$	$R_4$	$s$	$s_1$	$w$	$w_1$	Rope breaking strength	Steel wire rope diameter
	mm														kN	mm
1	75	25	54	16	150	12	75	15	40	40	10	10	74	35	25	7
2	90	30	66	18	190	16	90	20	55	47	10	10	92	45	40	9
3	105	35	72	20	230	23	105	25	80	54	12	10	100	55	63	11
4	120	40	96	21	280	29	125	30	95	62	14	10	125	70	100	14
5	140	50	128	25	350	40	160	40	115	75	16	12	160	90	160	18
6	160	63	154	25	430	50	180	55	145	90	18	12	200	110	250	22
7	220	100	244	40	680	80	250	70	230	125	22	16	320	180	400	28