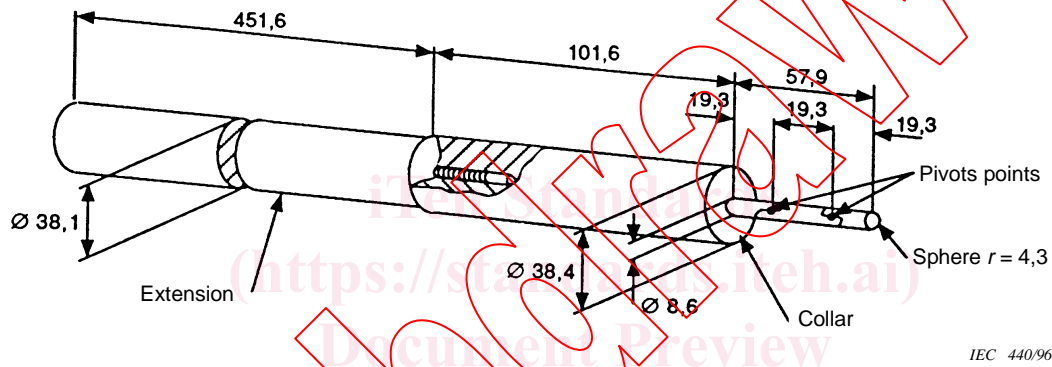


Safety of household and similar electrical appliances –
Part 2-84: Particular requirements for toilets

CORRIGENDUM 1

Page 13

Replace figure 101 by the following:



Material: metal

Dimensions in millimetres

Tolerances on dimensions $\pm 0,125$ mm

Both joints shall permit movement in the same plane and the same direction through an angle of 90° with a 0° to $+10^\circ$ tolerance

Figure 101 – Small test finger