



Designation: C1063 – 18

Standard Specification for Installation of Lathing and Furring to Receive Interior and Exterior Portland Cement-Based Plaster¹

This standard is issued under the fixed designation C1063; the number immediately following the designation indicates the year of original adoption or, in the case of revision, the year of last revision. A number in parentheses indicates the year of last reapproval. A superscript epsilon (ϵ) indicates an editorial change since the last revision or reapproval.

This standard has been approved for use by agencies of the U.S. Department of Defense.

1. Scope*

1.1 This specification covers the minimum technical requirements for lathing and furring for the application of exterior and interior portland cement-based plaster, as in Specifications C841 or C926. These requirements do not by default define a unit of work or assign responsibility for contractual purposes, which is the purview of a contract or contracts made between contracting entities.

1.2 Where a fire resistance rating is required for plastered assemblies and constructions, details of construction shall be in accordance with reports of fire tests of assemblies that have met the requirements of the fire rating imposed.

1.3 Where a specific degree of sound control is required for plastered assemblies and constructions, details of construction shall be in accordance with official reports of tests conducted in recognized testing laboratories in accordance with the applicable requirements of Test Method E90.

1.4 The values stated in inch-pound units are to be regarded as standard. The values given in parentheses are mathematical conversions to SI units that are provided for information only and are not considered standard.

1.5 *This international standard was developed in accordance with internationally recognized principles on standardization established in the Decision on Principles for the Development of International Standards, Guides and Recommendations issued by the World Trade Organization Technical Barriers to Trade (TBT) Committee.*

¹ This specification is under the jurisdiction of ASTM Committee C11 on Gypsum and Related Building Materials and Systems and is the direct responsibility of Subcommittee C11.03 on Specifications for the Application of Gypsum and Other Products in Assemblies.

Current edition approved Jan. 1, 2018. Published April 2018. Originally approved in 1986. Last previous edition approved in 2017 as C1063 – 17a. DOI: 10.1520/C1063-18.

2. Referenced Documents

2.1 ASTM Standards:²

- A641/A641M Specification for Zinc-Coated (Galvanized) Carbon Steel Wire
- A653/A653M Specification for Steel Sheet, Zinc-Coated (Galvanized) or Zinc-Iron Alloy-Coated (Galvannealed) by the Hot-Dip Process
- B69 Specification for Rolled Zinc
- B221 Specification for Aluminum and Aluminum-Alloy Extruded Bars, Rods, Wire, Profiles, and Tubes
- C11 Terminology Relating to Gypsum and Related Building Materials and Systems
- C841 Specification for Installation of Interior Lathing and Furring
- C847 Specification for Metal Lath
- C926 Specification for Application of Portland Cement-Based Plaster
- C933 Specification for Welded Wire Lath
- C954 Specification for Steel Drill Screws for the Application of Gypsum Panel Products or Metal Plaster Bases to Steel Studs from 0.033 in. (0.84 mm) to 0.112 in. (2.84 mm) in Thickness
- C1002 Specification for Steel Self-Piercing Tapping Screws for Application of Gypsum Panel Products or Metal Plaster Bases to Wood Studs or Steel Studs
- C1032 Specification for Woven Wire Plaster Base
- C1280 Specification for Application of Exterior Gypsum Panel Products for Use as Sheathing
- D1784 Specification for Rigid Poly(Vinyl Chloride) (PVC) Compounds and Chlorinated Poly(Vinyl Chloride) (CPVC) Compounds
- D4216 Specification for Rigid Poly(Vinyl Chloride) (PVC) and Related PVC and Chlorinated Poly(Vinyl Chloride) (CPVC) Building Products Compounds
- E90 Test Method for Laboratory Measurement of Airborne Sound Transmission Loss of Building Partitions and Elements

² For referenced ASTM standards, visit the ASTM website, www.astm.org, or contact ASTM Customer Service at service@astm.org. For *Annual Book of ASTM Standards* volume information, refer to the standard's Document Summary page on the ASTM website.

*A Summary of Changes section appears at the end of this standard

2.2 US Department of Commerce (DOC) Standards
 PS 1 Voluntary Product Standard PS 1, Structural Plywood
 PS 2 Voluntary Product Standard PS 2, Performance Standard for Wood-Based Structural Use Panels

3. Terminology

3.1 Definitions—For definitions relating to ceilings and walls, see Terminology C11.

3.2 Definitions of Terms Specific to This Standard:

3.2.1 building enclosure, *n*—system of building assemblies and materials designed and installed in such a manner as to provide a barrier between different environments.

3.2.2 control joint, *n*—a joint that accommodates movement of plaster shrinkage and curing along predetermined, usually straight, lines.

3.2.3 expansion joint, *n*—a joint that accommodates movement beyond plaster shrinkage and curing.

NOTE 1—For design consideration of control and expansion joints, see Annex A2.3.1.2 of Specification C926.

3.2.4 framing member, *n*—studs, joist, runners (track), bridging, bracing, and related accessories manufactured or supplied in wood or light gauge steel.

3.2.5 hangers, *n*—wires or steel rods or straps used to support main runners for suspended ceilings beneath floor or roof constructions.

3.2.6 inserts, *n*—devices embedded in concrete framing members to provide a loop or opening for attachment of hangers.

3.2.7 saddle tie, *n*—see Figs. 1 and 2.

3.2.8 self-furring, *adj*—a metal plaster base manufactured with evenly-spaced indentations that hold the body of the lath approximately 1/4 in. (6 mm) away from solid surfaces to which it is installed.

3.2.9 water resistive barrier, *n*—a material that resists the infiltration of liquid moisture through the building enclosure system.

4. Delivery and Storage of Materials

4.1 Delivery of Materials:

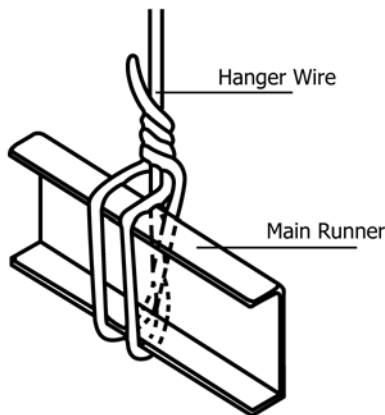


FIG. 1 Saddle Tie

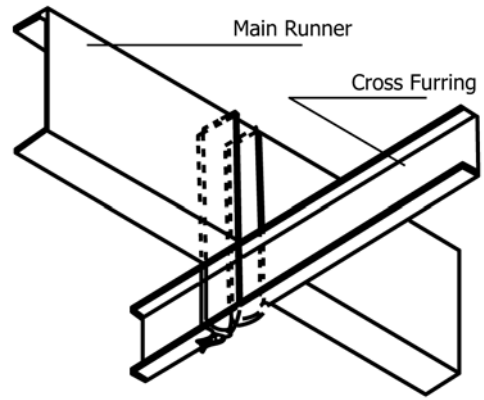


FIG. 2 Saddle Tie

4.1.1 All materials shall be delivered in the original packages, containers, or bundles bearing the brand-name and manufacturer's (or supplier's) identification.

4.2 Storage of Materials:

4.2.1 All materials shall be kept dry. Materials shall be stacked off the ground, supported on a level platform, and protected from the weather and surface contamination.

4.2.2 Materials shall be neatly stacked with care taken to avoid damage to edges, ends, or surfaces.

4.2.3 Paper backed metal plaster bases shall be handled carefully in delivery, storage, and erection to prevent puncturing or removal of paper.

5. Materials

5.1 Metallic materials including lathing, lath accessories, and fasteners shall be selected for compatibility to minimize galvanic corrosion between adjacent metallic materials installed in the cement plaster cladding assembly.

5.2 Metal Plaster Bases:

5.2.1 Expanded Metal Lath—Specification C847, galvanized.

5.2.2 Wire Laths:

5.2.2.1 Welded Wire Lath—Specification C933.

5.2.2.2 Woven Wire Lath—Specification C1032.

5.2.2.3 Paper Backed Plaster Bases—Specification C847.

5.3 Accessories:

5.3.1 General—All accessories shall have perforated or expanded flanges or clips shaped to permit complete embedment in the plaster, to provide means for accurate alignment, and to secure attachment of the accessory to the underlying surface. Accessories shall be designed to receive application of the specified plaster thickness.

5.3.2 Accessories shall be fabricated from Zinc Alloy (99 % pure zinc), galvanized (zinc-coated) steel, rigid PVC or CPVC plastic, or anodized aluminum alloy (see Specification B221). Accessories shall be free of deleterious amounts of rust, oil, or other foreign matter, which could cause bond failure or unsightly discoloration. (See Table 1 for minimum allowable thicknesses.)

TABLE 1 Minimum Thickness of Accessories

| Accessory | Base Material, in. (mm) | | |
|----------------|-------------------------|---------------|--------------|
| | Steel | Zinc Alloy | P.V.C. |
| Corner Beads | 0.0172 (0.44) | 0.0207 (0.53) | 0.035 (0.89) |
| Casing Beads | 0.0172 (0.44) | 0.0207 (0.53) | 0.035 (0.89) |
| Weep Screeds | 0.0172 (0.44) | 0.0207 (0.53) | 0.050 (1.27) |
| Control Joints | 0.0172 (0.44) | 0.018 (0.46) | 0.050 (1.27) |

5.3.3 The selection of an appropriate type of material for accessories shall be based upon applicable surrounding climatic and environmental conditions specific to the project location, such as salt air, industrial pollution, high moisture, or humidity.

5.3.4 *Steel*—Specification **A653/A653M** and shall have a G60 coating.

5.3.5 *PVC Plastic*—Specification **D1784** or **D4216**.

5.3.6 *Zinc Alloy*—Specification **B69**, 99 % pure zinc.

5.3.7 Thickness of base material shall be as shown in **Table 1**.

5.3.8 *Cornerite*—1.75 lb/yd² (0.059 kg/m²), galvanized expanded metal lath, 1.7 lb/yd² (0.057 kg/m²) galvanized woven or welded wire fabric of 0.0410 in. (1.04 mm) wire. When shaped for angle reinforcing, it shall have outstanding flanges (legs) of not less than 2 in. (51 mm).

5.4 *Channels*—Shall be cold-formed from steel with minimum 33 000 psi (228 MPa) yield strength and 0.0538 in. (1.37 mm) minimum bare steel thickness. Channel shall have a protective coating conforming to Specification **A653/A653M**—G60, or have a protective coating with an equivalent corrosion resistance for exterior applications, or shall be coated with a rust inhibitive paint, for interior applications, and shall have the following minimum weights in pounds per 1000 linear ft (kg/m).

| Sizes, in. (mm) | Weight, lb/1000 ft (kg/m) | Flange Width, in. (mm) |
|-----------------|------------------------------|------------------------|
| ¾ (19) | 277 (0.412) | ½ (13) |
| 1½ (38) | 414 (0.616) | ½ (13) |
| 2 (51) | 506 (0.753) | ½ (13) |
| 2½ (64) | 597 (0.888) | ½ (13) |

NOTE 2—Channels used in areas subject to corrosive action of salt air shall be hot-dipped galvanized, G60 coating.

5.4.1 *External Corner Reinforcement*—Expanded lath, welded wire, or woven wire mesh bent to approximately 90° used to reinforce portland cement stucco at external corners. This accessory shall be fully embedded in the stucco.

5.4.2 *Weep Screed*—Accessory used to terminate portland cement based stucco at the bottom of exterior framed walls. This accessory shall have a sloped, solid, or perforated, ground, or screed flange to facilitate the removal of moisture from the wall cavity, and a vertical attachment flange not less than 3½ in. (89 mm) long.

5.5 *Wire*—As specified in Specification **A641/A641M** with a Class I zinc-coated (galvanized), soft-temper steel. Wire diameters (uncoated) specified herein correspond with United States Steel Wire Gauge numbers as follows:

| Wire Gauge (US Steel Wire Gauge) | Diameter (in.) | mm |
|--|----------------|------|
| No. 20 | 0.0348 | .88 |
| No. 19 | 0.0410 | 1.04 |
| No. 18 | 0.0475 | 1.21 |
| No. 17 | 0.0540 | 1.37 |
| No. 16 | 0.0625 | 1.59 |
| No. 14 | 0.0800 | 2.03 |
| No. 13 | 0.0915 | 2.32 |
| No. 12 | 0.1055 | 2.68 |
| No. 11 | 0.1205 | 3.06 |
| No. 10 | 0.1350 | 3.43 |
| No. 9 | 0.1483 | 3.77 |
| No. 8 | 0.1620 | 4.12 |

5.6 *Rod and Strap Hangers*—Mild steel, zinc or cadmium plated, or protected with a rust-inhibiting paint.

5.7 *Clips*—Form from steel wire, Specification **A641/A641M** zinc-coated (galvanized), Specification **A641/A641M** or steel sheet, Specification **A653/A653M**, depending on use and manufacturer's requirements.

5.8 *Fasteners*:

5.8.1 *Nails*—For attaching metal plaster bases to wood framing members, 0.1205-in. 11 gauge (3.06 mm) diameter, 7/16-in. (11 mm) head, barbed, galvanized roofing nails or galvanized common nails.

5.8.1.1 Nails for attaching metal plaster bases to solid substrates shall be not less than ¾ in. (19 mm) long.

5.8.2 Screws for attaching metal plaster base shall be fabricated in accordance with either Specification **C954** or **C1002**, and shall have a 7/16 in. (11 mm) diameter pan wafer head and a 0.120 in. (3 mm) diameter shank. Screws used for attachment to metal framing members shall be self-drilling and self-tapping. Screws used for attachment to wood framing members shall be sharp-point.

5.8.3 *Staples*—For attaching metal plaster bases to wood framing members, staples shall have crowns ¾ in. (19 mm) wide minimum."

6. Requirements for Substrates to Receive Metal Lathing and Furring

6.1 *Framed, or Framed and Sheathed Substrates*:

6.1.1 Framing member deflection shall not exceed L/360.

6.1.2 Plywood and oriented strand board sheathing panels shall be marked in accordance with DOC PS1 or DOC PS 2.

6.1.3 Plywood and oriented strand board sheathing panels shall be installed with 1/8 in. (3 mm) panel edge gaps, and panel edges shall be offset 4 in. (10 cm) minimum from reentrant wall opening corners.

6.1.4 Wood framing members, plywood and oriented strand board sheathing panels shall have a moisture content not to exceed 19% immediately before plastering.

6.1.5 Exterior gypsum sheathing panels shall be installed in compliance with Specification **C1280**.

7. Installation

7.1 *Workmanship*—Metal furring and lathing shall be erected so that the finished plaster surfaces are true to line (allowable tolerance of ¼ in. (6 mm) in 10 ft (3 m)), level, plumb, square, or curved as required to receive the specified plaster thickness.

7.2 Hangers and Inserts:

7.2.1 Hangers shall be of ample length and shall conform to the requirements of Table 2, both as to size and maximum area to be supported, except as modified in this section.

7.2.2 When 1 by 3/16-in. (25 by 5 mm) flat inserts and hangers are used, 7/16-in. (11 mm) diameter holes shall be provided on the center line at the lower end of the insert and upper end of the hanger to permit the attachment of the hanger to the insert. The edge of the holes in both the inserts and the hangers shall be not less than 3/8 in. (10 mm) from the ends.

7.2.3 In concrete, hangers shall be attached to inserts embedded in the concrete, or to other attachment devices designed for this purpose, and able to develop full strength of the hanger.

7.2.4 Flat, steel hangers shall be bolted to 1 by 3/16-in. (25 by 5 mm) inserts with 3/8-in. (10 mm) diameter round-head stove bolts. (See Fig. 3.)

7.2.5 The nuts of the bolts shall be drawn up tight.

NOTE 3—Hangers required to withstand upward wind pressures shall be of a type to resist compression. Struts of formed channels shall be permitted.

7.3 Installation of Hangers for Suspended Ceilings Under Wood Constructions—Hangers shall be attached to framing members by any of the following methods:

7.3.1 A hole shall be drilled through the wood framing member not less than 3 in. (76 mm) above the bottom, with the upper end of the wire hanger passed through the hole and twisted three times around itself. (See Fig. 4.)

7.3.2 Three 12d nails shall be driven, on a downward slant, into the sides of the wood framing member with not less than 1/4 in. (32 mm) penetration and not less than 5 in. (127 mm) from the bottom edges, and not more than 36 in. (914 mm) on the center with the upper end of the wire hanger wrapped around the nails and twisted three times around itself. (See Fig. 5.)

7.3.3 A loop shall be formed in the upper end of the wire hanger and secured to the wood framing member by four 1 1/2-in. (38 mm), not less than 9 gauge, 0.1483-in. (3.77 mm) diameter wire staples driven horizontally or on a downward slant into the sides of the wood framing members, three near the upper end of the loop and the fourth to fasten the loose end. (See Fig. 6.)

7.3.4 Where framing members for flooring are thicker than 1 1/2 in. (38 mm) and are spaced more than 4 ft (1.2 m) on center, 1 1/2 in. (38 mm) No. 1/0 (0.3065 in.) (7.78 mm) eye screws (or equivalent), spaced not more than 3 ft (914 mm) on centers shall be screwed into the flooring framing members with the upper end of the wire hanger inserted through the eye screws and twisted three times around itself.

7.3.5 Two holes shall be drilled in the upper end of the flat hangers and nailed to the sides of the wood framing members with 12d nails driven through the holes and clinched. Nails shall be not less than 3 in. (76 mm) above the bottom edge of the framing member. (See Fig. 7.)

7.4 Attachment of Hangers to Main Runners:

TABLE 2 Allowable Support or Hanger Wire Spacing ft-in. (mm) and Cold-Rolled Channel Main Runner Spans, ft-in. (mm)¹⁻¹⁰

NOTE 1—1 in. = 25.4 mm; 1 ft² = 0.093 m²

| Member Size, in. (mm) | Member Weight, lb/1000 ft (kg/m) | Span Condition ^{9,10} | Uniform Load = 12 psf (0.479 kPa) | | | | |
|--------------------------|-------------------------------------|--------------------------------|---|------------|-------------|-------------|-------------|
| | | | Member Spacing, in. (mm) | | | | |
| | | | 24 (610) | 36 (914) | 48 (1220) | 60 (1520) | 72 (1830) |
| | | | Allowable Hanger Wire or Support Spacing, ft-in. (mm) | | | | |
| 1 1/2 (38) | 414 (0.615) | Single | 3-6 (1070) | 3-1 (940) | 2-9 (840) | 2-9 (790) | 2-5 (740) |
| 2 (51) | 506 (0.753) | 2 or More | 4-11 (1500) | 4-2 (1270) | 3-7 (1090) | 3-2 (970) | 2-11 (890) |
| 2 1/2 (64) | 597 (0.888) | Single | 3-9 (1140) | 3-3 (990) | 3-0 (910) | 2-9 (840) | 2-8 (810) |
| | | 2 or More | 5-2 (1570) | 4-6 (1370) | 4-1 (1240) | 3-10 (1170) | 3-7 (1090) |
| | | Single | 3-11 (1190) | 3-5 (1040) | 3-2 (970) | 2-11 (890) | 2-9 (840) |
| | | 2 or More | 5-5 (1650) | 4-9 (1450) | 4-4 (1320) | 4-0 (1220) | 3-10 (1170) |
| | | | Uniform Load = 15 psf (0.287 kPa) | | | | |
| Member Size, in. (mm) | Member Weight, lb/1000 ft (kg/m) | Span Condition ^{9,10} | Member Spacing, in. (mm) | | | | |
| | | | 24 (610) | 36 (914) | 48 (1220) | 60 (1520) | 72 (1830) |
| 1 1/2 (38) | 414 (0.616) | Single | 3-3 (990) | 2-10 (860) | 2-7 (790) | 2-4 (710) | 2-2 (660) |
| 2 (51) | 506 (0.753) | 2 or More | 4-6 (1370) | 3-8 (1120) | 3-2 (970) | 2-10 (860) | 2-7 (790) |
| 2 1/2 (64) | 597 (0.888) | Single | 3-6 (1070) | 3-1 (940) | 2-10 (880) | 2-7 (790) | 2-5 (740) |
| | | 2 or More | 4-10 (1470) | 4-3 (1300) | 3-10 (1170) | 3-6 (1070) | 3-3 (990) |
| | | Single | 3-8 (1120) | 3-3 (990) | 2-11 (890) | 2-9 (840) | 2-7 (790) |
| | | 2 or More | 5-0 (1520) | 4-5 (1350) | 4-0 (1220) | 3.9 (1140) | 3-6 (1070) |

Allowable Spans Notes:

- ¹ Bare metal thickness of cold-rolled main runners shall be not less than 0.0538 in. (1.367 mm).
- ² Inside corner radii shall not be greater than 1/8 in. (3 mm).
- ³ Spans based on upper flange of main runners laterally unbraced.
- ⁴ Maximum deflection limited to 1/360 of the span length.
- ⁵ Steel yield stress, F_y, shall be not less than 33 000 psi (228 MPa).
- ⁶ Uniform load 12 psf (dry density) shall be used for portland cement plaster ceilings with plaster thicknesses up to 7/8 in. (22 mm) and 15 psf shall be used for ceilings with plaster thicknesses over 7/8 in. (22 mm) and not more than 1 1/4 in. (32 mm).
- ⁷ "2 or More" spans refers to two or more continuous, equal spans.
- ⁸ For the "2 or More" span condition, listed spans represent the center-to-center distance between adjacent framing members.
- ⁹ These tables are designed for dead loads. Specific conditions such as exterior installations in high wind areas require additional engineering.
- ¹⁰ Where uplift resistance is required for suspended ceilings to resist negative forces, the architect or engineer of record shall select the method to be used.

TABLE 3 Types and Weights of Metal Plaster Bases and Corresponding Maximum Permissible Spacing of Wall and Ceiling Framing Members or Furring

| Type of Metal Plaster Base | Minimum Weight of Metal Plaster Base, lb/yd ² (kg/m ²) | Specific Installation Requirements and Maximum Permissible Spacing of Wall and Ceiling Framing Members or Furring, Center to Center, in. (mm) | | | | |
|----------------------------|---|---|--|--|---------------|--|
| | | Walls | | Ceilings | | |
| | | 24 (610) | 16 (406) | 24 (610) | 16 (406) | 12 (305) |
| Expanded Sheet Metal | 2.5 (1.4) | Permitted only for self-furred lath on sheathed wall framing members or solid wall bases | Permitted | Not Permitted | Not Permitted | Permitted |
| | 3.4 (1.8) | | | | | |
| Flat Rib | 2.75 (1.5) | Not Permitted | Permitted only for unsheathed wall framing members | Permitted | Permitted | Permitted |
| 3/8 in. Rib | 3.4 (1.8) 4.0 (2.1) | Not Permitted | | | | |
| Welded Wire | 1.14 (0.618) | Not Permitted | Permitted | Not Permitted | Permitted | Permitted |
| | 1.95 (1.058) | Permitted | | Permitted | | |
| Woven Wire | 1.4 (0.76) | Permitted only for wood wall framing members, wood furring | Permitted | Permitted only for wood and concrete ceiling framing members | | Permitted only for steel ceiling framing members |
| | | | | Not Permitted | Permitted | |

TABLE 4 Spans and Spacing of Cold-Rolled Channel Cross-Furring Members^{A, B, C, D, E, F}

| Member Depth | Spacing, in. (mm) | Allowable Span, Main Runners or Supports Ft-in. (mm) | |
|--------------|-------------------|--|-----------------------------------|
| | | Simple Span | Two or More Spans ^{G, H} |
| 3/4 (19) | 13.5 (343) | 2-9 (840) | 3-5 (1040) |
| | 16 (406) | 2-7 (790) | 3-3 (990) |
| | 19 (483) | 2-7 (740) | 3-0 (910) |
| | 24 (610) | 2-3 (690) | 2-10 (860) |
| 1 1/2 (38) | 13.5 (343) | 4-6 (1370) | 5-8 (1730) |
| | 16 (406) | 4-3 (1300) | 5-5 (1650) |
| | 19 (483) | 4-0 (1220) | 5-1 (1550) |
| | 24 (610) | 3-8 (1120) | 4-9 (1450) |

^A Bare metal thickness of cold-rolled members shall not be less than 0.0538 in. (1.367 mm).

^B Inside corner radii shall not be greater than 1/8 in. (3 mm).

^C Spans based on upper flange of cross-furring laterally unbraced.

^D Maximum deflection limited to 1/360th of span length unbraced.

^E Steel yield stress, *F_y*, shall not be less than 33 000 psi (228 MPa).

^F Tabulated spans apply only to cross-furring with webs oriented vertically.

^G "Two or more" spans refers to two or more continuous, equal spans.

^H For the "two or more" span conditions, listed spans represent the center-to-center distance between adjacent framing members.

7.4.1 Wire hangers shall be saddle-tied to the runners. (See Fig. 1.)

7.4.2 Smooth or threaded rod hangers shall be fastened to the runners with special attachments appropriate to the design.

7.4.3 The lower ends of flat hangers shall be bolted to the main runners, or bent tightly around the runners and carried up and above the runners and bolted to the main part of the hanger. Bolts shall be 3/8-in. (10 mm) diameter, round-head stove bolts. (See Fig. 3.)

7.5 Installation of Main Runners:

7.5.1 Minimum sizes and maximum spans and spacings of main runners for the various spans between hangers or other framing members shall be in accordance with the requirements of Table 2.

7.5.2 A clearance of not less than 1 in. (25 mm) shall be maintained between the ends of the main runners and the abutting masonry or the concrete walls, partitions, and col-

umns. Where special conditions require that main runners let into abutting masonry or concrete construction, within such constructions maintain a clearance of not less than 1 in. (25 mm) from the ends and not less than 1/4 in. (6 mm) from the tops and sides of the runners.

7.5.3 A main runner shall be located within 6 in. (152 mm) of the paralleling walls to support the ends of the cross furring. The ends of main runners shall be supported by hangers located not more than 6 in. (152 mm) from the ends.

7.5.4 Where main runners are spliced, the ends shall be overlapped not less than 12 in. (305 mm) with flanges of channels interlocked and securely tied near each end of the splice, with double loops of 0.0625 in. (1.59 mm) or double loops of twin strands of 0.0475-in. (1.21 mm) galvanized wire. However, when the splice occurs at an expansion joint or control joint, the channel shall be nested and loosely tied to hold together but still allow movement.

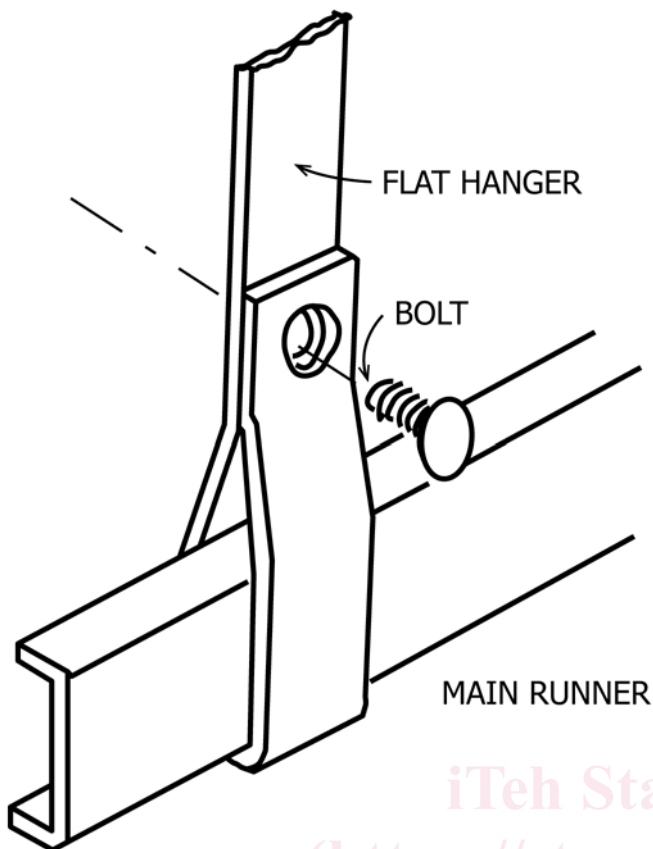


FIG. 3 Flat Hanger Attached to Main Runner Using Round-head Stove Bolt

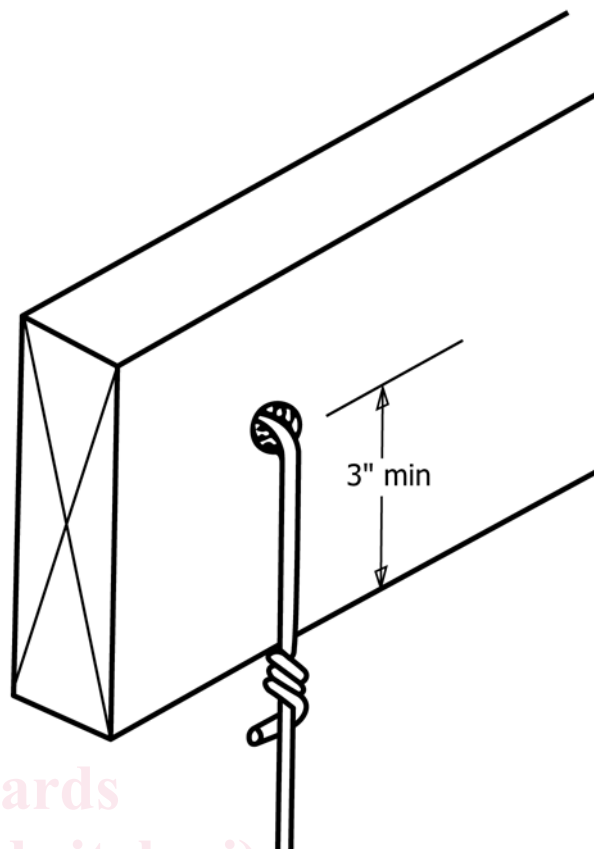


FIG. 4 Hanger Attached to Framing Member Through Drilled Hole

7.5.5 Hanger wires shall hang straight down. If an obstacle prevents this, a trapeze type device shall be used to allow hanger wires to hang straight.

7.6 Installation of Cross Furring:

7.6.1 Minimum size and maximum spans and spacings of various types of cross furring for various spans between main runners and framing members shall conform to the requirements of Table 4.

7.6.2 Cross furring shall be saddle-tied to main runners with 0.0625-in. 16 gauge (1.59 mm) galvanized wire, or a double strand of 0.0475-in. 18 gauge (1.21 mm) galvanized wire or with special galvanized clips, or equivalent attachments. (See Fig. 2.)

7.6.3 Where cross furring members are spliced, the ends shall be overlapped not less than 8 in. (203 mm), with flanges of channels interlocked, and securely tied near each end of the splice with double loops of 0.0625-in. (1.59 mm) 16 gauge galvanized wire or twin strands of 0.0475-in. 18 gauge (1.21 mm) galvanized wire.

7.6.4 Cross furring shall not come into contact with abutting masonry or reinforced concrete walls or partitions, except, where special conditions require that cross furring be let into abutting masonry or concrete construction, the applicable provisions of 7.5.2 shall apply.

7.6.5 Main runners and cross runners shall be interrupted at expansion joints or control joints. However when the splice

occurs at an expansion joint or control joint, the channel shall be nested and loosely tied to hold together but still allow movement.

7.7 Metal Furring for Walls:

7.7.1 Attachments for furring shall be concrete nails driven securely into concrete or into masonry joints, short pieces of 3/4-in. (19 mm) channels used as anchors driven into masonry joints, or other devices specifically designed as spacer elements, spaced horizontally not more than 2 ft (610 mm) on centers. They shall be spaced vertically in accordance with horizontal stiffener spacing so that they project from the face of the wall in order for ties to be made.

7.7.2 Horizontal stiffeners shall be not less than 3/4 in. (19 mm) cold-rolled channels, spaced not to exceed 54 in. (1372 mm) on centers vertically, with the lower and upper channels not more than 6 in. (152 mm) from the ends of vertical framing members and not less than 1/4 in. (6 mm) clear from the wall face, securely tied to attachments with three loops of galvanized, soft-annealed wire, or equivalent devices. Approved furring is not prohibited from use in this application.

7.7.3 Vertical framing members shall be not less than 3/4 in. (19 mm) cold-rolled channels in accordance with the requirements of Table 3. Vertical framing members shall be saddle-tied to horizontal stiffeners with three loops of 0.0475-in. (1.21 mm) galvanized soft-annealed wire, or equivalent devices, at each crossing, and securely anchored to the floor and ceiling constructions. Where furring is not in contact with the wall,