



Standard Specification for Chocks, Ship Mooring, Cast Steel¹

This standard is issued under the fixed designation F2936; the number immediately following the designation indicates the year of original adoption or, in the case of revision, the year of last revision. A number in parentheses indicates the year of last reapproval. A superscript epsilon (ϵ) indicates an editorial change since the last revision or reapproval.

^{ε1} NOTE—Keywords section was editorially added in March 2018.

1. Scope

- 1.1 This specification covers the principal dimensions and materials of closed chocks for installation on ships used for mooring.
- 1.2 Chocks can be used with either wire rope or fiber and synthetic ropes.
- 1.3 Chocks are for mounting directly on a deck, seat (foundation), or for mounting in a bulwark.
- 1.4 The values stated in SI units are to be regarded as standard. No other units of measurement are included in this standard.
- 1.5 *This international standard was developed in accordance with internationally recognized principles on standardization established in the Decision on Principles for the Development of International Standards, Guides and Recommendations issued by the World Trade Organization Technical Barriers to Trade (TBT) Committee.*

2. Referenced Documents

- 2.1 *ASTM Standards:*²
[A27/A27M Specification for Steel Castings, Carbon, for General Application](#)
- 2.2 *ANSI Standard:*³
[B 46.1 Surface Texture](#)

3. Terminology

3.1 Definitions of Terms Specific to This Standard:

- 3.1.1 *bulwark*—a structural enclosure along the edge of the ship to serve as a rail.
- 3.1.2 *closed chock*—a metal flared ring-like fitting mounted on a ship, through which mooring lines pass to moor a ship.
- 3.1.3 *mooring ring or pipe*—a chock mounted in the bulwark and conforming to Type II and IV.
- 3.1.4 *rope contact area*—that part of the fitting in contact with the mooring line in normal mooring operations.

4. Classification

- 4.1 The size of the chocks will be identified by the nominal size “L” and “H” of the opening as shown in [Table 1](#) and [Table 2](#).
- 4.2 Chocks are furnished in types as follows:
 - 4.2.1 *Type I*—Deck mounted as shown in [Fig. 1](#) and conforming to all dimensions in [Table 1](#).
 - 4.2.2 *Type II*—Bulwark mounted as shown in [Fig. 2](#) and conforming to all dimensions in [Table 2](#).
 - 4.2.3 *Type III*—Deck mounted, conforming only to dimensions “L” and “H” of [Table 1](#) and is of adequate strength to at least meet [7.2](#) requirement and the requirements of Sections [6](#) to [10](#).
 - 4.2.4 *Type IV*—Bulwark mounted, conforming only to dimensions “L” and “H” of [Table 2](#) and is of adequate strength to at least meet [7.2](#) requirement and the requirements of Sections [6](#) to [10](#).
- 4.3 Chocks shall be furnished in either of the following grades:

¹ This specification is under the jurisdiction of ASTM Committee F25 on Ships and Marine Technology and is the direct responsibility of Subcommittee F25.01 on Structures.

Current edition approved ~~Jan. 1, 2012~~ March 1, 2018. Published ~~February 2012~~ April 2018. DOI: 10.1520/F2936-12. Originally approved in 2012. Last previous edition approved in 2012 as F2936 – 12. DOI: 10.1520/F2936-12R18E01.

² For referenced ASTM standards, visit the ASTM website, www.astm.org, or contact ASTM Customer Service at service@astm.org. For *Annual Book of ASTM Standards* volume information, refer to the standard's Document Summary page on the ASTM website.

³ Available from American National Standards Institute (ANSI), 25 W. 43rd St., 4th Floor, New York, NY 10036, <http://www.ansi.org>.

**TABLE 1 Dimension Requirements (see Fig. 1)
(Units: mm)**

Nominal size LxHxD	l_1	l_2	l_3	l_4	H_1	H_2	H_3	R	R_1	R_2	R_3
250x200x214	488	453	76	265	427	368	108	100	219	160	108
300x250x286	614	565	89	330	551	481	144	125	282	212	144
350x250x333	716	660	114	403	601	525	168	125	308	232	168
400x250x381	820	754	139	475	652	553	192	125	335	236	192
450x250x381	870	804	164	524	652	553	192	125	335	236	192
500x250x381	920	854	189	574	652	553	192	125	335	236	192
400x250x428	870	796	139	500	701	609	216	125	360	268	216
450x250x428	920	846	164	550	701	609	216	125	360	268	216
500x250x428	970	896	189	600	701	609	216	125	360	268	216
500x400x428	970	896	176	600	851	759	216	200	435	343	216
500x250x525 ^A	1068	1000	190	652	798	675	264	125	409	286	264
500x400x525 ^A	1068	1000	193	652	948	825	264	200	484	361	264
500x250x525 ^B	1074	1000	176	652	801	680	264	125	412	291	264
500x400x525 ^B	1074	1000	179	652	951	830	264	200	487	366	264
500x400x525 ^B	1074	1000	179	652	951	830	264	200	487	366	264

Nominal size LxHxD	R_4	R_5	R_6	d_1	T	Welding leg	SWL		Rope diameter	Calculated weight (kg) ^C
						length	z_1	kN	ton	
250x200x214	86	150	128	108	22	6	226	23	18	73
300x250x286	118	180	154	144	26	6.5	422	40	24	142
350x250x333	138	200	170	168	30	7.5	549	56	28	222
400x250x381	156	250	214	192	36	9	687	70	32	310
450x250x381	156	250	214	192	36	9	706	72	32	322
500x250x381	156	250	214	192	36	9	765	78	32	337
400x250x428	178	250	212	216	38	9.5	883	90	36	434
450x250x428	178	250	212	216	38	9.5	912	93	36	452
500x250x428	178	250	212	216	38	9.5	932	95	36	472
500x400x428	178	250	212	216	38	9.5	893	91	36	528
500x250x525 ^A	224	320	280	264	40	10	1148	117	44	657
500x400x525 ^A	224	320	280	264	40	10	1158	118	44	724
500x250x525 ^B	218	320	274	264	46	11.5	1413	144	44	753
500x400x525 ^B	218	320	274	264	46	11.5	1383	141	44	825

^A SWLs shown in the Table are for reference only. "SWL" may be adjusted depending on the actual loading conditions, and the actual marking is to be per the agreement between the user and the manufacturer.

^B Rope diameter (Recommend) is only for reference based on bending ratio of rope through the chock is 12 times.

^C Calculated weight is for reference only.

4.3.1 *Grade 1*—Surface finish shall be in the as cast condition.

4.3.2 *Grade 2*—Surface finish in way of rope contact shall be in accordance with 8.2.

5. Ordering Information

5.1 Orders for chocks under this specification shall include this standard, date, and the following:

- 5.1.1 Descriptive information (size, material, etc.) of mooring lines,
- 5.1.2 Quantity (number) of chocks required,
- 5.1.3 Size (opening, $L \times H$),
- 5.1.4 Type and grade,
- 5.1.5 Primer and coating, if any (see 8.3), and
- 5.1.6 Marking.

6. Materials and Manufacture

6.1 Material shall be cast steel in accordance with Specification A27/A27M, Grade 60-30-60-30.

6.2 For Types III and IV the manufacturer shall certify that strength of the chock will at least meet 7.2 requirement, and that it is suitable for the mooring lines specified in the ordering information.

6.3 Casting shall be smooth, fine grain, and free of cracks, hot tears, and blow holes, detrimental to end use. Defects having an area larger than 25 by 25 mm² and a depth of more than 10 % of the thickness in way thereof will be cause for rejection. Smaller defects in way of rope contact shall be welded and finished smooth. Where applicable, welding shall be in accordance with code requirements, such as ABS, AWS, and so on, and may require post weld heat treatment (PWHT).

6.4 All excess material, vents, and gates shall be removed and finished smooth to match the surrounding surface.

6.5 Limber or drain holes shall be 25 mm in diameter and provided in webs and brackets to prevent water entrapment.

6.6 Type I shall be in accordance with Fig. 1 and Table 1.

6.7 Type II shall be in accordance with Fig. 2 and Table 2.

TABLE 2 Dimensions Requirement (see Fig. 2)
(Units: mm)

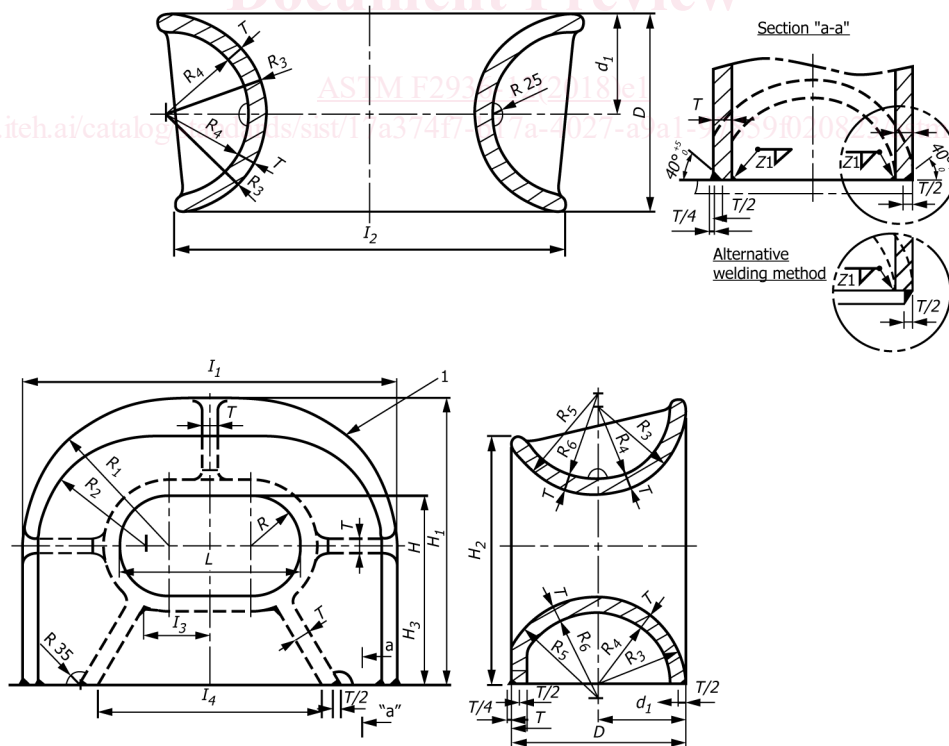
Nominal size LxHxD	I_1	I_2	H_1	H_2	R	R_1	R_2	R_3	R_4	R_5
250x200x214	516	441	466	306	100	233	153	108	96	150
300x250x286	638	554	588	410	125	294	205	144	128	180
350x250x333	736	646	636	449	125	318	224.5	168	150	200
400x250x381	834	736	684	450	125	342	225	192	172	250
450x250x381	884	786	684	450	125	342	225	192	172	250
500x250x381	934	836	684	450	125	342	225	192	172	250
400x250x428	882	778	732	515	125	366	257.5	216	194	250
450x250x428	932	828	732	515	125	366	257.5	216	194	250
500x250x428	982	878	732	515	125	366	257.5	216	194	250
500x400x428	982	878	882	665	200	441	332.5	216	194	250
500x250x525	1078	976	828	551	125	414	275.5	264	240	320
500x400x525	1078	978	978	701	200	489	350.6	264	240	320
500x250x525	1078	976	828	554	125	414	277	264	238	320
500x400x525	1078	978	978	704	200	489	352	264	238	320

Nominal size LxHxD	R_6	d_1	d_2	T	θ	Welding leg length			SWL	Rope diameter (Recommend)	Calculated weight (kg) ^A
						Z_1	Z_2	kN			
250x200x214	138	108	80	12	44°	6	5	226	23	18	49
300x250x286	164	144	100	16	44°	8	6.5	422	40	24	100
350x250x333	182	168	120	18	55°	9	7	549	56	28	141
400x250x381	230	192	120	20	47°	10	8	687	70	32	184
450x250x381	230	192	120	20	47°	10	8	706	72	32	194
500x250x381	230	192	120	20	47°	10	8	765	78	32	202
400x250x428	228	216	120	22	56°	11	9	883	90	36	264
450x250x428	228	216	120	22	56°	11	9	912	93	36	276
500x250x428	228	216	120	22	56°	11	9	932	95	36	288
500x400x428	228	216	120	22	56°	11	9	893	91	36	311
500x250x525 ^B	296	264	120	24	53°	12	9.5	1148	117	44	379
500x400x525 ^C	296	264	120	24	53°	12	9.5	1158	118	44	408

^A Calculated weight is for reference only.

^B SWLs shown in the Table are for reference only. "SWL" may be adjusted depending on the actual loading conditions, and the actual marking is to be per the agreement between the user and the manufacturer.

^C Rope diameter (Recommend) is only for reference based on bending ratio of rope through the chock is 12 times.



NOTE 1—All fillet radii to be equal to "I₁".

NOTE 2—All final products must have a thickness no less than "T".

FIG. 1 Configuration of Deck Mounted Chocks