
**Textile machinery and accessories —
Strips for water jet solidification**

*Matériel pour l'industrie textile — Bandes pour solidification du jet
d'eau*

Sample Document

get full document from standards.iteh.ai



Sample Document

get full document from standards.iteh.ai



COPYRIGHT PROTECTED DOCUMENT

© ISO 2015, Published in Switzerland

All rights reserved. Unless otherwise specified, no part of this publication may be reproduced or utilized otherwise in any form or by any means, electronic or mechanical, including photocopying, or posting on the internet or an intranet, without prior written permission. Permission can be requested from either ISO at the address below or ISO's member body in the country of the requester.

ISO copyright office
Ch. de Blandonnet 8 • CP 401
CH-1214 Vernier, Geneva, Switzerland
Tel. +41 22 749 01 11
Fax +41 22 749 09 47
copyright@iso.org
www.iso.org

Contents

	Page
Foreword	iv
1 Scope	1
2 Symbols of dimensions	1
3 Dimensions	3
3.1 Jet strips.....	3
3.2 Nozzle.....	3
3.3 Distance of nozzle rows.....	3
4 Specifications	4
4.1 Straightness and parallelism of jet strips.....	4
4.2 Hardness of jet strips.....	4
5 Designation of jet strips	4

Sample Document

get full document from standards.iteh.ai

Foreword

ISO (the International Organization for Standardization) is a worldwide federation of national standards bodies (ISO member bodies). The work of preparing International Standards is normally carried out through ISO technical committees. Each member body interested in a subject for which a technical committee has been established has the right to be represented on that committee. International organizations, governmental and non-governmental, in liaison with ISO, also take part in the work. ISO collaborates closely with the International Electrotechnical Commission (IEC) on all matters of electrotechnical standardization.

The procedures used to develop this document and those intended for its further maintenance are described in the ISO/IEC Directives, Part 1. In particular the different approval criteria needed for the different types of ISO documents should be noted. This document was drafted in accordance with the editorial rules of the ISO/IEC Directives, Part 2 (see www.iso.org/directives).

Attention is drawn to the possibility that some of the elements of this document may be the subject of patent rights. ISO shall not be held responsible for identifying any or all such patent rights. Details of any patent rights identified during the development of the document will be in the Introduction and/or on the ISO list of patent declarations received (see www.iso.org/patents).

Any trade name used in this document is information given for the convenience of users and does not constitute an endorsement.

For an explanation on the meaning of ISO specific terms and expressions related to conformity assessment, as well as information about ISO's adherence to the WTO principles in the Technical Barriers to Trade (TBT) see the following URL: [Foreword - Supplementary information](#).

The committee responsible for this document is ISO/TC 72, *Textile machinery and accessories*, Subcommittee SC 1, *Spinning preparatory, spinning, twisting and winding machinery and accessories*.

get full document from standards.iteh.ai

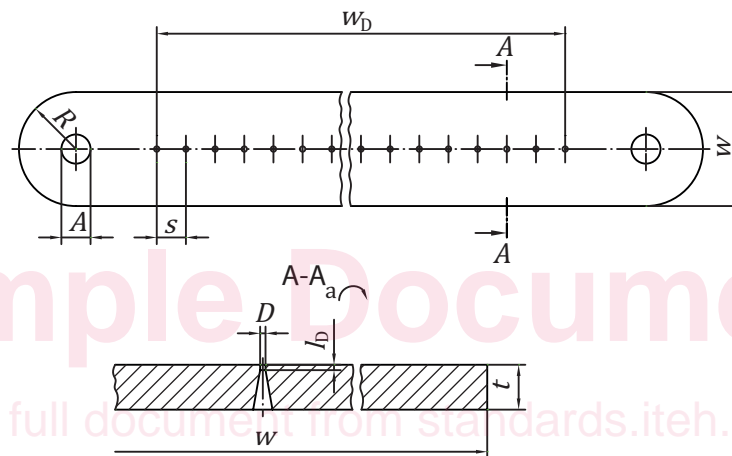
Textile machinery and accessories — Strips for water jet solidification

1 Scope

This International Standard specifies the dimensions and execution of strips for water nozzle solidification including their designation.

2 Symbols of dimensions

The designation of dimensions for jet strips are given in [Figure 1](#), [Figure 2](#) and [Figure 3](#).



Key

w	width	r	number of nozzle rows
t	thickness	A	diameter of expansion drilling
w_D	length of nozzle rows	R	terminating radius
D	nozzle diameter	l_D	nozzle length
s	nozzle distance		
a	magnified presentation		

Figure 1 — Single row jet strip $r = 1$

The number of nozzles per metre is calculated according to Formula (1):

$$n_D = \frac{1\,000}{s} + 1 \quad (1)$$

where

n_D is the number of nozzles per metre;

s is the nozzle distance, in mm.