
International Standard



337

INTERNATIONAL ORGANIZATION FOR STANDARDIZATION • МЕЖДУНАРОДНАЯ ОРГАНИЗАЦИЯ ПО СТАНДАРТИЗАЦИИ • ORGANISATION INTERNATIONALE DE NORMALISATION

Road vehicles — 50 semi-trailer fifth wheel coupling pin — Basic and mounting/interchangeability dimensions

Véhicules routiers — Pivot d'attelage de 50 pour semi-remorque — Dimensions de base et caractéristiques de montage et d'interchangeabilité

Second edition — 1981-12-01

Sample Document

get full document from standards.iteh.ai

UDC 629.11.013.5 : 629.114.3

Ref. No. ISO 337-1981 (E)

Descriptors : road vehicles, semitrailers, couplings, pins, mountings, dimensions, dimensional tolerances, interchangeability.

Foreword

ISO (the International Organization for Standardization) is a worldwide federation of national standards institutes (ISO member bodies). The work of developing International Standards is carried out through ISO technical committees. Every member body interested in a subject for which a technical committee has been set up has the right to be represented on that committee. International organizations, governmental and non-governmental, in liaison with ISO, also take part in the work.

Draft International Standards adopted by the technical committees are circulated to the member bodies for approval before their acceptance as International Standards by the ISO Council.

International Standard ISO 337 was developed by Technical Committee ISO/TC 22, *Road vehicles*, and was circulated to the member bodies in June 1980.

It has been approved by the member bodies of the following countries :

Austria	India	Poland
Belgium	Iran	Romania
Brazil	Italy	South Africa, Rep. of
Chile	Japan	Spain
China	Korea, Dem. P. Rep. of	Sweden
Czechoslovakia	Korea, Rep. of	Switzerland
France	Netherlands	United Kingdom
Germany, F. R.	New Zealand	USSR

The member body of the following country expressed disapproval of the document on technical grounds :

Australia

This second edition cancels and replaces the first edition (i.e. ISO 337-1973).

Road vehicles — 50 semi-trailer fifth wheel coupling pin — Basic and mounting/interchangeability dimensions

1 Scope and field of application

This International Standard specifies the dimensions of the 50 [ϕ 50,8 mm (2 in)] fifth wheel coupling pin which is used for coupling semi-trailers to prime movers, taking into account the limitations of weight generally laid down by official requirements.

NOTE — If, for extra heavy-duty vehicles, this coupling pin is not sufficient, an 90 [ϕ 89 mm (3.5 in)] fifth wheel coupling pin according to ISO 4086 shall be used.

In addition, this International Standard specifies the dimensional characteristics necessary for mounting and interchangeability.

2 Reference

ISO 4086, *Road vehicles — 90 semi-trailer fifth wheel coupling pin — Basic and mounting/interchangeability dimensions.*

3 Basic functional dimensions of pin

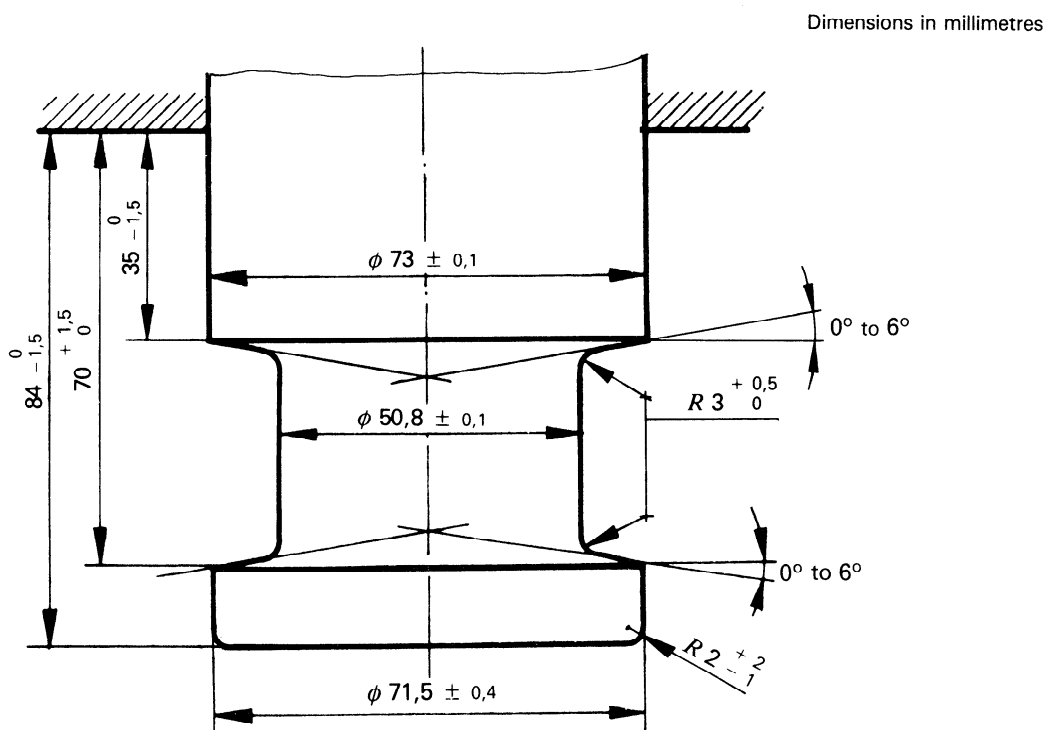


Figure 1