
**Industrial trucks — Vocabulary —
Part 1:
Types of industrial trucks**

**Chariots de manutention —
Vocabulaire —
Partie 1:
Types de chariots de manutention**

[ISO 5053-1:2020](https://standards.iteh.ai/catalog/standards/iso/de4fe714-b34d-49c8-b31a-f231523cc348/iso-5053-1-2020)

<https://standards.iteh.ai/catalog/standards/iso/de4fe714-b34d-49c8-b31a-f231523cc348/iso-5053-1-2020>



iTeh Standards
(<https://standards.iteh.ai>)
Document Preview

[ISO 5053-1:2020](https://standards.iteh.ai/catalog/standards/iso/de4fe714-b34d-49c8-b31a-f231523cc348/iso-5053-1-2020)

<https://standards.iteh.ai/catalog/standards/iso/de4fe714-b34d-49c8-b31a-f231523cc348/iso-5053-1-2020>



COPYRIGHT PROTECTED DOCUMENT

© ISO 2020

All rights reserved. Unless otherwise specified, or required in the context of its implementation, no part of this publication may be reproduced or utilized otherwise in any form or by any means, electronic or mechanical, including photocopying, or posting on the internet or an intranet, without prior written permission. Permission can be requested from either ISO at the address below or ISO's member body in the country of the requester.

ISO copyright office
CP 401 • Ch. de Blandonnet 8
CH-1214 Vernier, Geneva
Phone: +41 22 749 01 11
Fax: +41 22 749 09 47
Email: copyright@iso.org
Website: www.iso.org

Published in Switzerland

Contents

	Page
Foreword	iv
1 Scope	1
2 Normative references	1
3 Terms and definitions	1
Annex A (informative) List of equivalent terms in German, Chinese and Italian	25
Annex B (informative) Classification	35
Bibliography	71

iTeh Standards (<https://standards.iteh.ai>) Document Preview

[ISO 5053-1:2020](https://standards.iteh.ai/catalog/standards/iso/de4fe714-b34d-49c8-b31a-f231523cc348/iso-5053-1-2020)

<https://standards.iteh.ai/catalog/standards/iso/de4fe714-b34d-49c8-b31a-f231523cc348/iso-5053-1-2020>

Foreword

ISO (the International Organization for Standardization) is a worldwide federation of national standards bodies (ISO member bodies). The work of preparing International Standards is normally carried out through ISO technical committees. Each member body interested in a subject for which a technical committee has been established has the right to be represented on that committee. International organizations, governmental and non-governmental, in liaison with ISO, also take part in the work. ISO collaborates closely with the International Electrotechnical Commission (IEC) on all matters of electrotechnical standardization.

The procedures used to develop this document and those intended for its further maintenance are described in the ISO/IEC Directives, Part 1. In particular, the different approval criteria needed for the different types of ISO documents should be noted. This document was drafted in accordance with the editorial rules of the ISO/IEC Directives, Part 2 (see www.iso.org/directives).

Attention is drawn to the possibility that some of the elements of this document may be the subject of patent rights. ISO shall not be held responsible for identifying any or all such patent rights. Details of any patent rights identified during the development of the document will be in the Introduction and/or on the ISO list of patent declarations received (see www.iso.org/patents).

Any trade name used in this document is information given for the convenience of users and does not constitute an endorsement.

For an explanation of the voluntary nature of standards, the meaning of ISO specific terms and expressions related to conformity assessment, as well as information about ISO's adherence to the World Trade Organization (WTO) principles in the Technical Barriers to Trade (TBT), see www.iso.org/iso/foreword.html.

This document was prepared by Technical Committee ISO/TC 110, *Industrial trucks*, Subcommittee SC 1, *General terminology*.

This third edition cancels and replaces the second edition (ISO 5053-1:2015), which has been editorially revised.

The main changes compared to the previous edition are as follows:

- added additional names for some truck types;
- new layout.

A list of all parts in the ISO 5053 series can be found on the ISO website.

Any feedback or questions on this document should be directed to the user's national standards body. A complete listing of these bodies can be found at www.iso.org/members.html.

NOTE In addition to terms used in English and French, two of the three official ISO languages, this International Standard gives the equivalent terms in German, Chinese and Italian in [Annex A](#). These are published under the responsibility of the member bodies for Germany (DIN), China (SAC) and Italy (UNI). However, only the terms and definitions given in the official languages can be considered as ISO terms and definitions.

Industrial trucks — Vocabulary —

Part 1: Types of industrial trucks

1 Scope

This document establishes the vocabulary of industrial trucks.

For the purposes of this document, industrial trucks are wheeled vehicles having at least three wheels with a powered or non-powered driving mechanism — except those running on rails — which are designed either to carry, tow, push, lift, stack or tier in racks any kind of load, and which are controlled either by an operator or by driverless automation.

2 Normative references

There are no normative references in this document.

3 Terms and definitions

ISO and IEC maintain terminological databases for use in standardization at the following addresses:

- ISO Online browsing platform: available at <https://www.iso.org/obp>
- IEC Electropedia: available at <http://www.electropedia.org/>

NOTE Due to the variance of the individual truck types and the ongoing development of new combinations, it is not possible to illustrate all the different variations of industrial truck types. Therefore, this document defines, shows and/or describes the typical variances.

3.1

towing tractor

truck travelling on the ground, fitted with coupling means and specially designed to tow vehicles travelling on the ground

Note 1 to entry: See [Figure 1](#).

Note 2 to entry: For equivalent terms in German, Chinese and Italian, see [A.1](#).

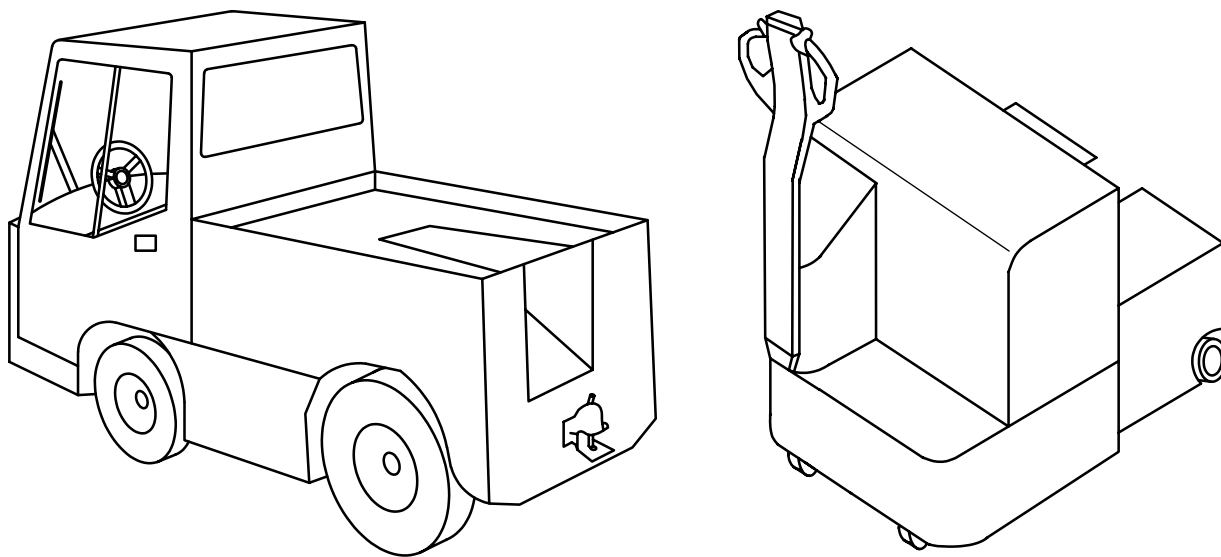


Figure 1 — Towing tractor

**3.2
pushing tractor**

tractor fitted at the front-end with a buffer plate and which can push vehicles travelling on the ground or on railway tracks

Note 1 to entry: See [Figure 2](#).

Note 2 to entry: For equivalent terms in German, Chinese and Italian, see [A.2](#).

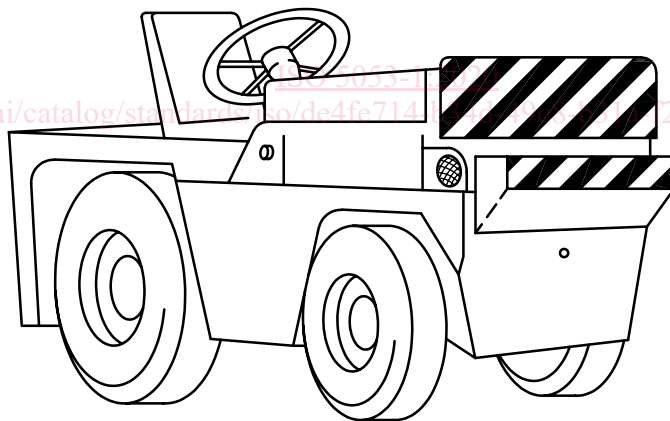


Figure 2 — Pushing tractor

**3.3
counterbalance lift truck**

stacking lift truck fitted with fork arms (or with the fork arms replaced by another device) on which the load, either palletized or not, is put in a cantilever position in relation to the front wheels and balanced by the mass of the truck

Note 1 to entry: See [Figure 3](#).

Note 2 to entry: For equivalent terms in German, Chinese and Italian, see [A.3](#).

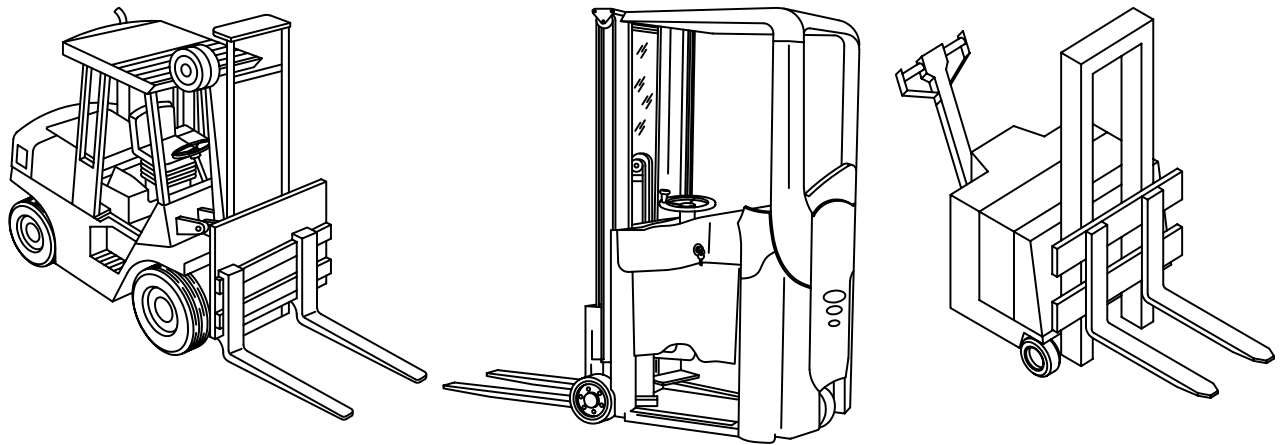


Figure 3 — Counterbalance lift truck

3.4

reach truck [with retractable mast] [with fork arm carriage]

stacking lift truck with outriggers where the load can be repositioned by moving the [retractable mast] [fork arm carriage]

Note 1 to entry: See [Figure 4](#).

Note 2 to entry: For equivalent terms in German, Chinese and Italian, see [A.4](#).

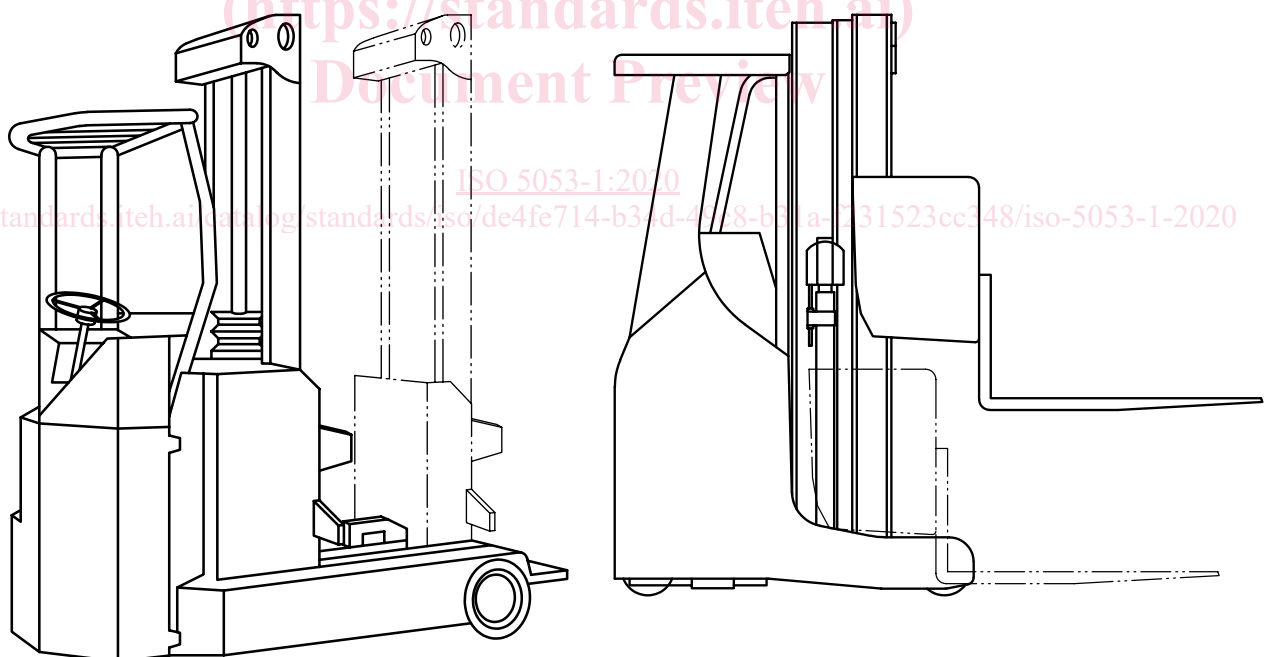


Figure 4 — Reach truck

3.5

platform truck

stacking lift truck with a load platform extending over the frame structure

Note 1 to entry: See [Figure 5](#).

Note 2 to entry: For equivalent terms in German, Chinese and Italian, see [A.5](#).