
**Cartridges, type A, for indexable
inserts —**

**Part 6:
Style L**

Cartouches du type A, à plaquettes amovibles —

Partie 6: Forme L

Sample Document

get full document from standards.iteh.ai



Sample Document

get full document from standards.iteh.ai



COPYRIGHT PROTECTED DOCUMENT

© ISO 2015, Published in Switzerland

All rights reserved. Unless otherwise specified, no part of this publication may be reproduced or utilized otherwise in any form or by any means, electronic or mechanical, including photocopying, or posting on the internet or an intranet, without prior written permission. Permission can be requested from either ISO at the address below or ISO's member body in the country of the requester.

ISO copyright office
Ch. de Blandonnet 8 • CP 401
CH-1214 Vernier, Geneva, Switzerland
Tel. +41 22 749 01 11
Fax +41 22 749 09 47
copyright@iso.org
www.iso.org

Contents

	Page
Foreword	iv
1 Scope	1
2 Normative references	1
3 Dimensions	1
4 Designation	3
5 Material	4
6 Design	4
6.1 Method of holding	4
6.2 Corner radius r_{ϵ}	4
6.3 Adjusting screw	5
7 Extent of delivery	5
8 Marking	5

Sample Document

get full document from standards.iteh.ai

Foreword

ISO (the International Organization for Standardization) is a worldwide federation of national standards bodies (ISO member bodies). The work of preparing International Standards is normally carried out through ISO technical committees. Each member body interested in a subject for which a technical committee has been established has the right to be represented on that committee. International organizations, governmental and non-governmental, in liaison with ISO, also take part in the work. ISO collaborates closely with the International Electrotechnical Commission (IEC) on all matters of electrotechnical standardization.

The procedures used to develop this document and those intended for its further maintenance are described in the ISO/IEC Directives, Part 1. In particular the different approval criteria needed for the different types of ISO documents should be noted. This document was drafted in accordance with the editorial rules of the ISO/IEC Directives, Part 2 (see www.iso.org/directives).

Attention is drawn to the possibility that some of the elements of this document may be the subject of patent rights. ISO shall not be held responsible for identifying any or all such patent rights. Details of any patent rights identified during the development of the document will be in the Introduction and/or on the ISO list of patent declarations received (see www.iso.org/patents).

Any trade name used in this document is information given for the convenience of users and does not constitute an endorsement.

For an explanation on the meaning of ISO specific terms and expressions related to conformity assessment, as well as information about ISO's adherence to the WTO principles in the Technical Barriers to Trade (TBT) see the following URL: [Foreword - Supplementary information](#)

The committee responsible for this document is ISO/TC 29, *Small tools*, Subcommittee SC 9, *Tools with defined cutting edges, cutting items*.

This first edition of ISO 5611-6, together with ISO 5611-1, ISO 5611-2, ISO 5611-3, ISO 5611-4, ISO 5611-5, ISO 5611-7, ISO 5611-8, ISO 5611-9, ISO 5611-10, ISO 5611-11, and ISO 5611-12, cancels and replaces ISO 5611:1995, which has been technically revised.

ISO 5611 consists of the following parts, under the general title *Cartridges, type A, for indexable inserts*:

- *Part 1: General survey, correlation and determination of dimensions*
- *Part 2: Style F*
- *Part 3: Style G*
- *Part 4: Style J*
- *Part 5: Style K*
- *Part 6: Style L*
- *Part 7: Style R*
- *Part 8: Style S*
- *Part 9: Style T*
- *Part 10: Style U*
- *Part 11: Style W*
- *Part 12: Style Y*

Cartridges, type A, for indexable inserts —

Part 6: Style L

1 Scope

This part of ISO 5611 applies for cartridges type A, with hole(s) for fastening screw(s), of style L, i.e. with cutting edge angle $\kappa_r = 95^\circ$ for side and end cutting.

Cartridges are intended to be used with indexable inserts made of hard metal, ceramic or other cutting materials and are primarily mounted to be used for internal turning of operations.

2 Normative references

The following documents, in whole or in part, are normatively referenced in this document and are indispensable for its application. For dated references, only the edition cited applies. For undated references, the latest edition of the referenced document (including any amendments) applies.

ISO 1832, *Indexable inserts for cutting tools — Designation*

ISO 5608, *Turning and copying tool holders and cartridges for indexable inserts — Designation*

ISO 5611-1, *Cartridges, type A, for indexable inserts — Part 1: General survey, correlation and determination of dimensions*

3 Dimensions

Cartridges type A need not comply with the pictorial representation, only the dimensions given shall be observed.

For determination of dimensions h_1 , f and l_1 see ISO 5611-1. For explanation of the designation code for cartridges, see ISO 5608.

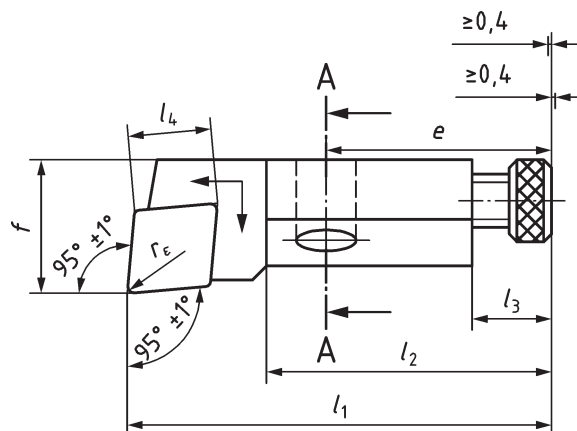


Figure 1 — Style L with height $h_1 = 6$ mm, 8 mm, 10 mm, 12 mm, 16 mm and 20 mm with rhombic indexable insert