

INTERNATIONAL
STANDARD

ISO
7310

Second edition
1993-07-15

**Diesel engines — Heads for spin-on fuel
filters with horizontal flange — Mounting
and connecting dimensions**

Sample Document
*Moteurs diesels — Têtes pour filtres à combustible vissés à bride
horizontale — Dimensions de montage et de raccordement*

get full document from standards.iteh.ai



Reference number
ISO 7310:1993(E)

Foreword

ISO (the International Organization for Standardization) is a worldwide federation of national standards bodies (ISO member bodies). The work of preparing International Standards is normally carried out through ISO technical committees. Each member body interested in a subject for which a technical committee has been established has the right to be represented on that committee. International organizations, governmental and non-governmental, in liaison with ISO, also take part in the work. ISO collaborates closely with the International Electrotechnical Commission (IEC) on all matters of electrotechnical standardization.

Draft International Standards adopted by the technical committees are circulated to the member bodies for voting. Publication as an International Standard requires approval by at least 75 % of the member bodies casting a vote.

International Standard ISO 7310 was prepared by Technical Committee ISO/TC 22, *Road vehicles*, Sub-Committee SC 7, *Injection equipment and filters for use on road vehicles*.

This second edition cancels and replaces the first edition (ISO 7310:1984), of which it constitutes a technical revision.

Annex A of this International Standard is for information only.

© ISO 1993

All rights reserved. No part of this publication may be reproduced or utilized in any form or by any means, electronic or mechanical, including photocopying and microfilm, without permission in writing from the publisher.

International Organization for Standardization
Case Postale 56 • CH-1211 Genève 20 • Switzerland

Printed in Switzerland

Diesel engines — Heads for spin-on fuel filters with horizontal flange — Mounting and connecting dimensions

1 Scope

This International Standard specifies the mounting and connecting dimensions for heads for spin-on fuel filters for diesel (compression-ignition) engines.

It applies to spin-on fuel filters according to ISO 7654 having a canister outside diameter of up to 80 mm. In special cases, canisters with an outside diameter of up to 88 mm may be mounted to these heads.

2 Normative reference

The following standard contains provisions which, through reference in this text, constitute provisions of this International Standard. At the time of publication, the edition indicated was valid. All standards are subject to revision, and parties to agreements based on this International Standard are encouraged to investigate the possibility of applying the most recent edition of the standard indicated below. Members of IEC and ISO maintain registers of currently valid International Standards.

ISO 7654:1991, *Road vehicles — Spin-on fuel filters for compression-ignition engines — Mounting and connecting dimensions.*

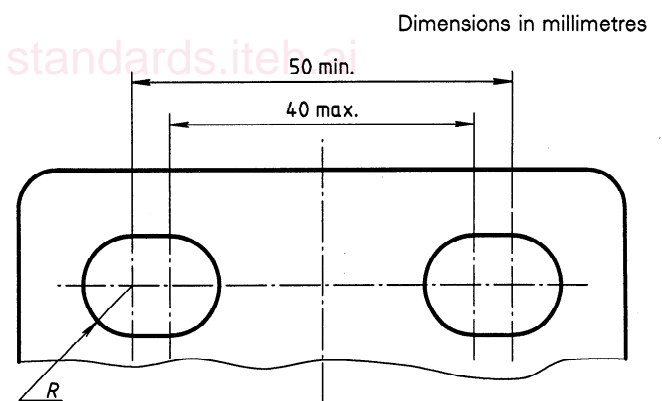
3 Dimensions and tolerances

NOTE 1 The current thread size for fitment of spin-on filters is M16 × 1,5.

3.1 Fixing bolt holes of flanges for single and double filters

See figure 1.

NOTE 2 Engine manufacturers are encouraged in future to apply a centre-to-centre distance of fixing holes or fixing bolts of 45 mm ± 0,5 mm.



Type	$R \pm 0,2$	
For single filters	5,3	6,5
For double filters	6,5	

Figure 1