

SLOVENSKI STANDARD
SIST EN 581-2:2026**01-julij-2026****Nadomešča:****SIST EN 581-2:2016****SIST EN 581-2:2016/AC:2016**

**Zunanje pohištvo - Mehanske varnostne zahteve in preskusne metode - 2. del:
Sedežno pohištvo za domačo in javno uporabo ter taborjenje**Outdoor furniture - Mechanical safety requirements and test methods - Part 2: Seating
for camping, domestic and contract useAußenmöbel - Mechanische Sicherheitsanforderungen und Prüfverfahren - Teil 2:
Sitzmöbel für Camping-, Wohn- und ObjektbereichMobilier d'extérieur - Sièges et tables à usages domestique, collectif et de camping -
Partie 2 : Exigences de sécurité mécanique et méthodes d'essai des sièges**Ta slovenski standard je istoveten z: EN 581-2:2026****ICS:**

97.140	Pohištvo	Furniture
97.200.30	Oprema za taborjenje in tabori	Camping equipment and camp-sites

SIST EN 581-2:2026**en,fr,de**

Sample Document

get full document from standards.iteh.ai

EUROPEAN STANDARD
NORME EUROPÉENNE
EUROPÄISCHE NORM

EN 581-2

May 2026

ICS 97.140; 97.200.30

Supersedes EN 581-2:2015

English Version

Outdoor furniture - Mechanical safety requirements and test methods - Part 2: Seating for camping, domestic and contract use

Mobilier d'extérieur - Sièges et tables à usages domestique, collectif et de camping - Partie 2 : Exigences de sécurité mécanique et méthodes d'essai des sièges

Außenmöbel - Mechanische Sicherheitsanforderungen und Prüfverfahren - Teil 2: Sitzmöbel für Camping-, Wohn- und Objektbereich

This European Standard was approved by CEN on 13 April 2026.

CEN members are bound to comply with the CEN/CENELEC Internal Regulations which stipulate the conditions for giving this European Standard the status of a national standard without any alteration. Up-to-date lists and bibliographical references concerning such national standards may be obtained on application to the CEN-CENELEC Management Centre or to any CEN member.

This European Standard exists in three official versions (English, French, German). A version in any other language made by translation under the responsibility of a CEN member into its own language and notified to the CEN-CENELEC Management Centre has the same status as the official versions.

CEN members are the national standards bodies of Austria, Belgium, Bulgaria, Croatia, Cyprus, Czech Republic, Denmark, Estonia, Finland, France, Germany, Greece, Hungary, Iceland, Ireland, Italy, Latvia, Lithuania, Luxembourg, Malta, Netherlands, Norway, Poland, Portugal, Republic of North Macedonia, Romania, Serbia, Slovakia, Slovenia, Spain, Sweden, Switzerland, Türkiye and United Kingdom.



EUROPEAN COMMITTEE FOR STANDARDIZATION
COMITÉ EUROPÉEN DE NORMALISATION
EUROPÄISCHES KOMITEE FÜR NORMUNG

CEN-CENELEC Management Centre: Rue de la Science 23, B-1040 Brussels

© 2026 CEN All rights of exploitation in any form and by any means reserved worldwide for CEN national Members.

Ref. No. EN 581-2:2026 E

Contents	Page
European foreword	3
1 Scope	4
2 Normative references	4
3 Terms and definitions	4
4 Testing	7
5 Test equipment	7
6 Determination of the loading points	8
7 Safety requirements for loungers	9
7.1 General safety requirements	9
7.2 Stability and structural safety	9
7.2.1 Test sequence and parameters	9
7.2.2 Requirements	9
8 Safety requirements for other seating	10
8.1 General safety requirements	10
8.2 Stability and structural safety	11
8.2.1 Test sequence and parameters	11
8.2.2 Requirements	11
9 Information for use	14
9.1 General	14
9.2 Marking for loungers	14
10 Test report	15
Annex A (normative) Test method for deckchair	16
A.1 Rationale	16
A.2 Test conditions	16
A.3 Test equipment and apparatus	16
A.4 Test methods	16
Annex B (informative) Test method for folding lounge	20
B.1 Rationale	20
B.2 Test conditions	20
B.3 Test equipment and apparatus	20
B.4 Test method	20
B.5 Test parameters	26
B.6 Requirement	26
Annex C (informative) Guide to facilitate the identification of deckchairs	27
C.1 Rationale	27
C.2 Examples of products to be considered as deckchairs	28
C.3 Examples of products to be not considered as deckchairs	29
Annex D (informative) Purchase information (guidelines)	32

European foreword

This document (EN 581-2:2026) has been prepared by Technical Committee CEN/TC 207 “Furniture”, the secretariat of which is held by UNI.

This European Standard shall be given the status of a national standard, either by publication of an identical text or by endorsement, at the latest by November 2026, and conflicting national standards shall be withdrawn at the latest by November 2026.

Attention is drawn to the possibility that some of the elements of this document may be the subject of patent rights. CEN shall not be held responsible for identifying any or all such patent rights.

This document supersedes EN 581-2:2015.

EN 581-2:2026 includes the following significant technical changes with respect to EN 581-2:2015:

- a) new definitions for camping use, domestic use for contract use have been added;
- b) general safety requirements has been added;
- c) updated seating requirements for stability to take into account new edition of EN 1022:2023;
- d) updated requirements for seating and clarification of the application of certain tests with footnote to tables;
- e) Annex A (normative) “Test method for deckchair” has been added;
- f) Annex B (informative) “Test method for folding lounge” has been added;
- g) Annex C (informative) “Guide to facilitate the identification of deckchairs” has been added;
- h) Annex D (informative) “Purchase information (guidelines)” has replaced Annex B;
- i) Annex A “Forward and sideways stability tests for loungers” has been deleted;
- j) clarification of the instruction for use;
- k) clarification of the rearward stability test for camping use.

Any feedback and questions on this document should be directed to the users’ national standards body. A complete listing of these bodies can be found on the CEN website.

According to the CEN-CENELEC Internal Regulations, the national standards organisations of the following countries are bound to implement this European Standard: Austria, Belgium, Bulgaria, Croatia, Cyprus, Czech Republic, Denmark, Estonia, Finland, France, Germany, Greece, Hungary, Iceland, Ireland, Italy, Latvia, Lithuania, Luxembourg, Malta, Netherlands, Norway, Poland, Portugal, Republic of North Macedonia, Romania, Serbia, Slovakia, Slovenia, Spain, Sweden, Switzerland, Türkiye and the United Kingdom.

EN 581-2:2026 (E)

1 Scope

This document specifies the minimum requirements for general safety and structural safety which include strength, reliability and stability of all types of outdoor seating for camping use, for domestic use and for contract use, for adults, without regard to materials, design or manufacturing processes.

It does not apply to street furniture.

It does not include requirements for removable upholstery, including the cover and filling.

It does not include requirements for the durability of castors/wheels and height adjustment mechanisms.

It does not include requirements for electrical safety.

It does not include requirements for the resistance to ageing and degradation caused by light, temperature and moisture.

The test requirements contained within this document are based on use by persons weighing up to 110 kg.

2 Normative references

The following documents are referred to in the text in such a way that some or all of their content constitutes requirements of this document. For dated references, only the edition cited applies. For undated references, the latest edition of the referenced document (including any amendments) applies.

EN 581-1, *Outdoor furniture — Seating and tables for camping, domestic and contract use — Part 1: General safety requirements*

EN 1022:2023, *Furniture — Seating — Determination of stability*

EN 1728:2012, *Furniture — Seating — Test methods for the determination of strength and durability*

3 Terms and definitions

For the purposes of this document, the following terms and definitions apply.

ISO and IEC maintain terminology databases for use in standardization at the following addresses:

- ISO Online browsing platform: available at <https://www.iso.org/obp/>
- IEC Electropedia: available at <https://www.electropedia.org/>

3.1

seating for camping use

seating for outdoor light in weight, intended for occasional use in connection with camping and travelling and can be easily reduced in volume for transporting and storing

Note 1 to entry: Such products are often foldable or knock-down.

3.2

seating for domestic use

outdoor seating intended for private use in places without public access

Note 1 to entry: Such products can be foldable or knock-down.

3.3

seating for contract use

outdoor seating intended for non-private use in places with public access

Note 1 to entry: Such products can be foldable or knock-down.

3.4

lounger

seating intended for reclined posture with at least one backrest position with an angle θ between 0° and 45° and a leg rest which is integral part of the product and which is intended to support the full body weight of a user

Note 1 to entry: Figure 1 shows θ angle in lounger.

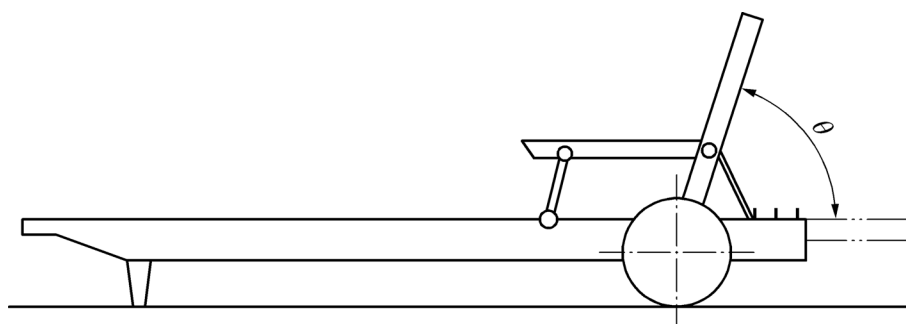


Figure 1 — θ angle in lounger

3.5

street furniture

outdoor furniture used in public space, permanently fixed to the ground or any structure (e.g. bus stop, wall...) or not able to be manually removed

3.6

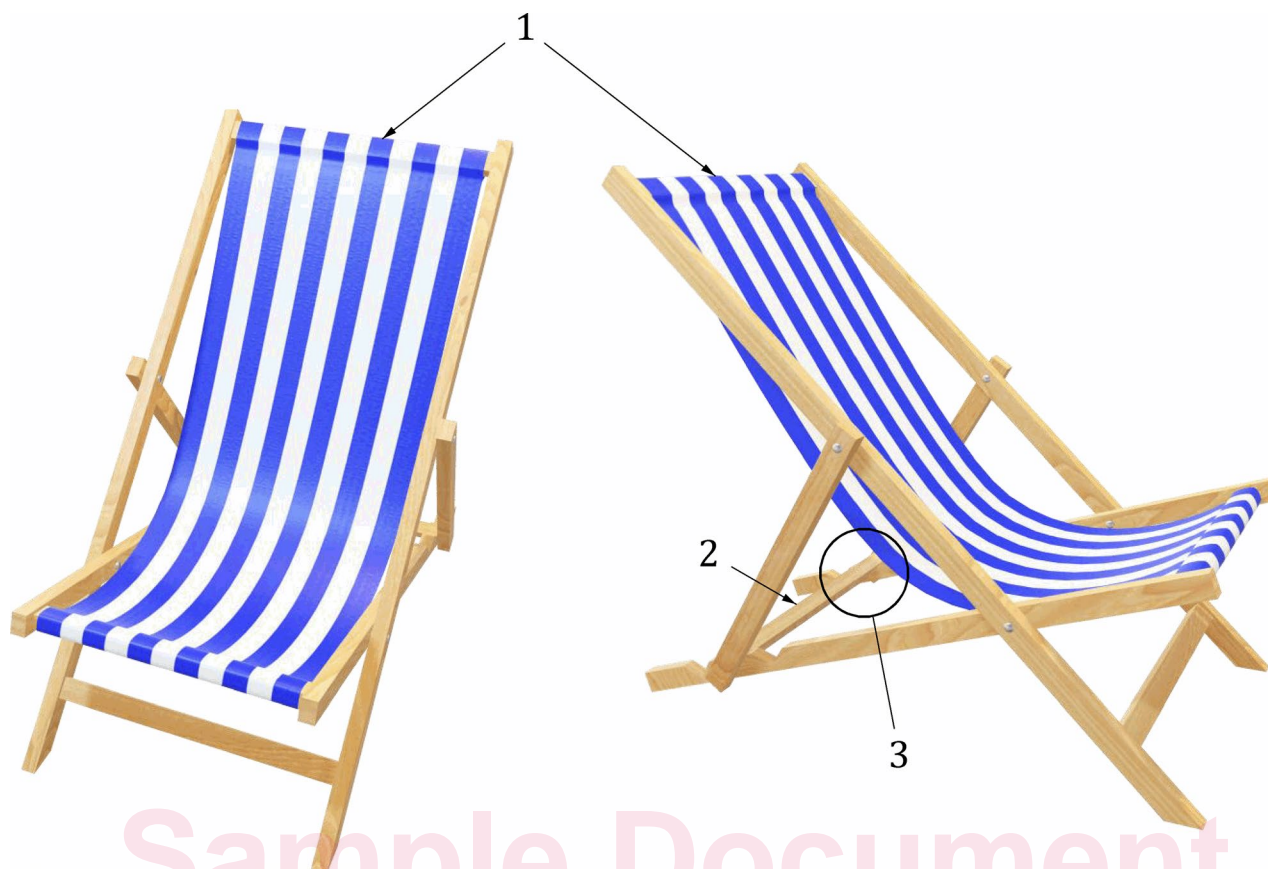
deckchair

foldable seating with articulated cross-shaped frame capable of being folded in completely that can be set to one or more predefined positions by means of a locking system at the locking bar and having a frame which supports a flexible sheet suspended in the upper part of the backrest and the front of the seat

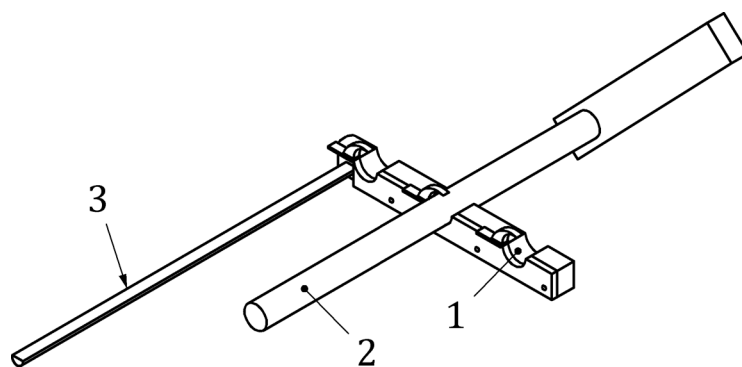
Note 1 to entry: Figure 2 shows an example of a typical deckchair.

Note 2 to entry: Figure 3 shows an example of locking system.

Note 3 to entry: A guide to facilitate the identification of deckchairs is provided in Annex C.

**Key**

- 1 upper transverse bar
- 2 locking bar
- 3 see Figure 3 for clarification

Figure 2 — Example of a deckchair**Key**

- 1 locking position
- 2 locking bar
- 3 lower transverse bar

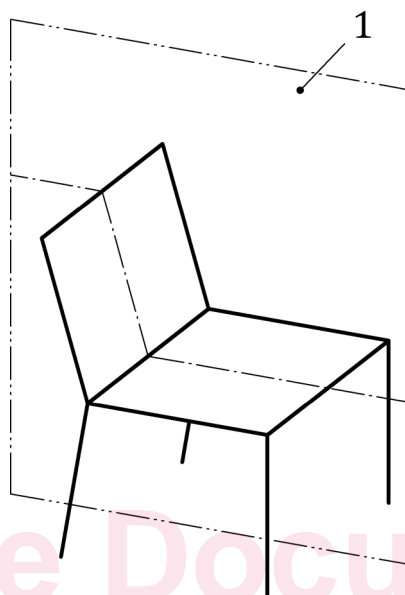
Figure 3 — Example of locking system

3.7**median plane**

vertical plane running from front to rear through the centre of the seat, dividing the chair into two equal parts

Note 1 to entry: See Figure 4.

[SOURCE: EN 1335-1:2020+A1:2022, definition 3.9]

**Key**

1 median plane

Figure 4 — Illustration of the median plane

4 Testing

Testing shall be carried out as specified in EN 1728:2012 and EN 1022:2023.

5 Test equipment**5.1 General**

Test equipment is specified in EN 1728:2012 and EN 1022:2023.

5.2 Small cylinder to determine the loading point for seating with a frame which supports a flexible sheet suspended in the upper part of the backrest and at the front of the seat

Cylinder shall have a mass of $(1 \pm 0,5)$ kg and a diameter of (70 ± 10) mm.

NOTE A suitable length of the cylinder is 200 mm.