

SLOVENSKI STANDARD

SIST EN IEC 62841-3-3:2026

01-september-2026

Nadomešča:

SIST EN 61029-2-3:2011

Elektromotorna ročna orodja, prenosna orodja ter stroji za trato in vrt - Varnost - 3-3. del: Posebne zahteve za prenosne skobeljnike in debelinke (IEC 62841-3-3:2024)

Electric motor-operated hand-held tools, transportable tools and lawn and garden machinery - Safety - Part 3-3: Particular requirements for transportable planers and thicknessers (IEC 62841-3-3:2024)

Elektrische motorbetriebene handgeführte Werkzeuge, transportable Werkzeuge und Rasen- und Gartenmaschinen – Sicherheit – Teil 3-3: Besondere Anforderungen für transportable Abrichthobel und Dickenhobel (IEC 62841-3-3:2024)

Outils électroportatifs à moteur, outils portables et machines pour jardins et pelouses - Sécurité - Partie 3-3: Exigences particulières pour les dégauchisseuses et les raboteuses portables (IEC 62841-3-3:2024)

Ta slovenski standard je istoveten z: EN IEC 62841-3-3:2026

ICS:

25.140.20	Električna orodja	Electric tools
79.120.20	Lesnoobdelovalno orodje	Woodworking tools

SIST EN IEC 62841-3-3:2026 en

Sample Document

get full document from standards.iteh.ai

EUROPEAN STANDARD
NORME EUROPÉENNE
EUROPÄISCHE NORM

EN IEC 62841-3-3

June 2026

ICS 25.140.20

Supersedes EN 61029-2-3:2011

English Version

**Electric motor-operated hand-held tools, transportable tools and
lawn and garden machinery - Safety - Part 3-3: Particular
requirements for transportable planers and thicknessers
(IEC 62841-3-3:2024)**

Outils électroportatifs à moteur, outils portables et machines
pour jardins et pelouses - Sécurité - Partie 3-3: Exigences
particulières pour les dégauchisseuses et les raboteuses
portables
(IEC 62841-3-3:2024)

Elektrische motorbetriebene handgeführte Werkzeuge,
transportable Werkzeuge und Rasen- und
Gartenmaschinen - Sicherheit - Teil 3-3: Besondere
Anforderungen für transportable Abrichthobel und
Dickenhobel
(IEC 62841-3-3:2024)

This European Standard was approved by CENELEC on 2026-05-04. CENELEC members are bound to comply with the CEN/CENELEC Internal Regulations which stipulate the conditions for giving this European Standard the status of a national standard without any alteration.

Up-to-date lists and bibliographical references concerning such national standards may be obtained on application to the CEN-CENELEC Management Centre or to any CENELEC member.

This European Standard exists in three official versions (English, French, German). A version in any other language made by translation under the responsibility of a CENELEC member into its own language and notified to the CEN-CENELEC Management Centre has the same status as the official versions.

CENELEC members are the national electrotechnical committees of Austria, Belgium, Bulgaria, Croatia, Cyprus, the Czech Republic, Denmark, Estonia, Finland, France, Germany, Greece, Hungary, Iceland, Ireland, Italy, Latvia, Lithuania, Luxembourg, Malta, the Netherlands, Norway, Poland, Portugal, Republic of North Macedonia, Romania, Serbia, Slovakia, Slovenia, Spain, Sweden, Switzerland, Türkiye and the United Kingdom.



European Committee for Electrotechnical Standardization
Comité Européen de Normalisation Electrotechnique
Europäisches Komitee für Elektrotechnische Normung

CEN-CENELEC Management Centre: Rue de la Science 23, B-1040 Brussels

© 2026 CENELEC All rights of exploitation in any form and by any means reserved worldwide for CENELEC Members.

Ref. No. EN IEC 62841-3-3:2026 E

EN IEC 62841-3-3:2026 (E)

European foreword

The text of document 116/761/FDIS, future edition 1 of IEC 62841-3-3, prepared by TC 116 "Safety of motor-operated electric tools" was submitted to the IEC-CENELEC parallel vote and approved by CENELEC as EN IEC 62841-3-3:2026.

The following dates are fixed:

- latest date by which the document has to be implemented at national (dop) 2027-06-30 level by publication of an identical national standard or by endorsement
- latest date by which the national standards conflicting with the (dow) 2030-06-30 document have to be withdrawn

This document supersedes EN 61029-2-3:2011 and all of its amendments and corrigenda (if any).

Attention is drawn to the possibility that some of the elements of this document may be the subject of patent rights. CENELEC shall not be held responsible for identifying any or all such patent rights.

This document is read in conjunction with EN 62841-1:2015 and all of its amendments and corrigenda (if any).

This document has been prepared under a standardization request addressed to CENELEC by the European Commission. The Standing Committee of the EFTA States subsequently approves these requests for its Member States.

For the relationship with EU Legislation, see informative Annex ZZ, which is an integral part of EN IEC 62841-3-3:2026/A11:2026.

Any feedback and questions on this document should be directed to the users' national committee. A complete listing of these bodies can be found on the CENELEC website.

Endorsement notice

The text of the International Standard IEC 62841-3-3:2024 was approved by CENELEC as a European Standard without any modification.



IEC 62841-3-3

Edition 1.0 2024-06

INTERNATIONAL STANDARD

NORME INTERNATIONALE

**Electric motor-operated hand-held tools, transportable tools and lawn and garden machinery – Safety –
Part 3-3: Particular requirements for transportable planers and thicknessers**

**Outils électroportatifs à moteur, outils portables et machines pour jardins et pelouses – Sécurité –
Partie 3-3: Exigences particulières pour les dégauchisseuses et les raboteuses portables**

INTERNATIONAL
ELECTROTECHNICAL
COMMISSION

COMMISSION
ELECTROTECHNIQUE
INTERNATIONALE

ICS 25.140.20

ISBN 978-2-8322-9100-9

**Warning! Make sure that you obtained this publication from an authorized distributor.
Attention! Veuillez vous assurer que vous avez obtenu cette publication via un distributeur agréé.**

CONTENTS

FOREWORD.....	4
1 Scope.....	6
2 Normative references	6
3 Terms and definitions	6
4 General requirements	8
5 General conditions for the tests	8
6 Radiation, toxicity and similar hazards.....	8
7 Classification.....	8
8 Marking and instructions.....	8
9 Protection against access to live parts.....	9
10 Starting	9
11 Input and current	9
12 Heating.....	10
13 Resistance to heat and fire.....	10
14 Moisture resistance	10
15 Resistance to rusting.....	10
16 Overload protection of transformers and associated circuits	10
17 Endurance.....	10
18 Abnormal operation	10
19 Mechanical hazards.....	11
20 Mechanical strength	23
21 Construction	23
22 Internal wiring.....	25
23 Components	25
24 Supply connection and external flexible cords	25
25 Terminals for external conductors.....	25
26 Provision for earthing	25
27 Screws and connections	25
28 Creepage distances, clearances and distances through insulation.....	25
Annexes	26
Annex I (informative) Measurement of noise and vibration emissions.....	27
Annex K (normative) Battery tools and battery packs	28
Annex L (normative) Battery tools and battery packs provided with mains connection or non-isolated sources.....	29
Annex AA (normative) Stability test for bridge-type guards.....	30
Bibliography.....	36
Figure 101 – Example of a combined planer and thicknesser	7
Figure 102 – Example of a thicknesser	8
Figure 103 – Cutter block.....	12
Figure 104 – Measurement of the cutter block chip groove.....	12
Figure 105 – Bridge-type guard.....	16

Figure 106 – Details of two alternative bridge type guard leading edges	17
Figure 107 – Example of a swivel-type guard	18
Figure 108 – Design preventing kickback	20
Figure 109 – Examples of anti-kickback devices	20
Figure 110 – Test probe	22
Figure 111 – Example of a push stick	24
Figure AA.1 – Bridge deflection	31
Figure AA.2 – Bridge free play	32
Figure AA.3 – Bridge strength test	34
Figure AA.4 – Side impact resistance test	35
Figure AA.5 – Side impact test apparatus	35
Table 4 – Required performance levels	10
Table 101 – Table sizes	13
Table 102 – Parallel guide sizes	18
Table 103 – Material specification	21
Table 104 – Metal characteristics for guards above and below the table	23
Table I.101 – Noise test conditions for planers and thicknessers	27

Sample Document

get full document from standards.iteh.ai

INTERNATIONAL ELECTROTECHNICAL COMMISSION

**ELECTRIC MOTOR-OPERATED HAND-HELD TOOLS, TRANSPORTABLE
TOOLS AND LAWN AND GARDEN MACHINERY –
SAFETY –**

**Part 3-3: Particular requirements for transportable
planers and thicknessers**

FOREWORD

- 1) The International Electrotechnical Commission (IEC) is a worldwide organization for standardization comprising all national electrotechnical committees (IEC National Committees). The object of IEC is to promote international co-operation on all questions concerning standardization in the electrical and electronic fields. To this end and in addition to other activities, IEC publishes International Standards, Technical Specifications, Technical Reports, Publicly Available Specifications (PAS) and Guides (hereafter referred to as "IEC Publication(s)"). Their preparation is entrusted to technical committees; any IEC National Committee interested in the subject dealt with may participate in this preparatory work. International, governmental and non-governmental organizations liaising with the IEC also participate in this preparation. IEC collaborates closely with the International Organization for Standardization (ISO) in accordance with conditions determined by agreement between the two organizations.
- 2) The formal decisions or agreements of IEC on technical matters express, as nearly as possible, an international consensus of opinion on the relevant subjects since each technical committee has representation from all interested IEC National Committees.
- 3) IEC Publications have the form of recommendations for international use and are accepted by IEC National Committees in that sense. While all reasonable efforts are made to ensure that the technical content of IEC Publications is accurate, IEC cannot be held responsible for the way in which they are used or for any misinterpretation by any end user.
- 4) In order to promote international uniformity, IEC National Committees undertake to apply IEC Publications transparently to the maximum extent possible in their national and regional publications. Any divergence between any IEC Publication and the corresponding national or regional publication shall be clearly indicated in the latter.
- 5) IEC itself does not provide any attestation of conformity. Independent certification bodies provide conformity assessment services and, in some areas, access to IEC marks of conformity. IEC is not responsible for any services carried out by independent certification bodies.
- 6) All users should ensure that they have the latest edition of this publication.
- 7) No liability shall attach to IEC or its directors, employees, servants or agents including individual experts and members of its technical committees and IEC National Committees for any personal injury, property damage or other damage of any nature whatsoever, whether direct or indirect, or for costs (including legal fees) and expenses arising out of the publication, use of, or reliance upon, this IEC Publication or any other IEC Publications.
- 8) Attention is drawn to the Normative references cited in this publication. Use of the referenced publications is indispensable for the correct application of this publication.
- 9) IEC draws attention to the possibility that the implementation of this document may involve the use of (a) patent(s). IEC takes no position concerning the evidence, validity or applicability of any claimed patent rights in respect thereof. As of the date of publication of this document, IEC had not received notice of (a) patent(s), which may be required to implement this document. However, implementers are cautioned that this may not represent the latest information, which may be obtained from the patent database available at <https://patents.iec.ch>. IEC shall not be held responsible for identifying any or all such patent rights.

IEC 62841-3-3 has been prepared by IEC technical committee 116: Safety of motor-operated electric tools. It is an International Standard.

The text of this International Standard is based on the following documents:

Draft	Report on voting
116/761/FDIS	116/796/RVD

Full information on the voting for its approval can be found in the report on voting indicated in the above table.

The language used for the development of this International Standard is English.

This document was drafted in accordance with ISO/IEC Directives, Part 2, and developed in accordance with ISO/IEC Directives, Part 1 and ISO/IEC Directives, IEC Supplement, available at www.iec.ch/members_experts/refdocs. The main document types developed by IEC are described in greater detail at www.iec.ch/publications.

This document is to be used in conjunction with IEC 62841-1:2014.

This document supplements or modifies the corresponding clauses in IEC 62841-1, so as to convert it into the IEC Standard: Particular requirements for transportable planers and thicknessers.

Where a particular subclause of IEC 62841-1 is not mentioned in this document, that subclause applies as far as reasonable. Where this document states "addition", "modification" or "replacement", the relevant text in IEC 62841-1 is to be adapted accordingly.

The following print types are used:

- requirements: in roman type;
- *test specifications: in italic type;*
- notes: in small roman type.

The terms defined in Clause 3 are printed in **bold typeface**.

Subclauses, notes, tables and figures which are additional to those in IEC 62841-1 are numbered starting from 101.

Subclauses, notes, tables and figures in Annex K and Annex L which are additional to those in the main body of this document are numbered starting from 301.

A list of all parts in the IEC 62841 series, published under the general title: *Electric motor-operated hand-held tools, transportable tools and lawn and garden machinery – Safety*, can be found on the IEC website.

The committee has decided that the contents of this document will remain unchanged until the stability date indicated on the IEC website under webstore.iec.ch in the data related to the specific document. At this date, the document will be

- reconfirmed,
- withdrawn, or
- revised.

ELECTRIC MOTOR-OPERATED HAND-HELD TOOLS, TRANSPORTABLE TOOLS AND LAWN AND GARDEN MACHINERY – SAFETY –

Part 3-3: Particular requirements for transportable planers and thicknessers

1 Scope

IEC 62841-1:2014, Clause 1 is applicable, except as follows:

Addition:

This document applies to transportable **planers**, **thicknessers** and **combined planers and thicknessers** intended for cutting wood and analogous materials with a maximum planing width of 330 mm.

This document does not apply to **planers**, **thicknessers** or **combined planers and thicknessers** other than transportable.

NOTE 101 ISO 19085-7:2019 gives requirements for **planers**, **thicknessers** or **combined planers and thicknessers** other than transportable.

2 Normative references

IEC 62841-1:2014, Clause 2 is applicable, except as follows:

Addition:

IEC 62841-1:2014, *Electric motor-operated hand-held tools, transportable tools and lawn and garden machinery – Safety – Part 1: General requirements*

ISO 180:2023, *Plastics – Determination of Izod impact strength*

3 Terms and definitions

IEC 62841-1:2014, Clause 3 is applicable, except as follows:

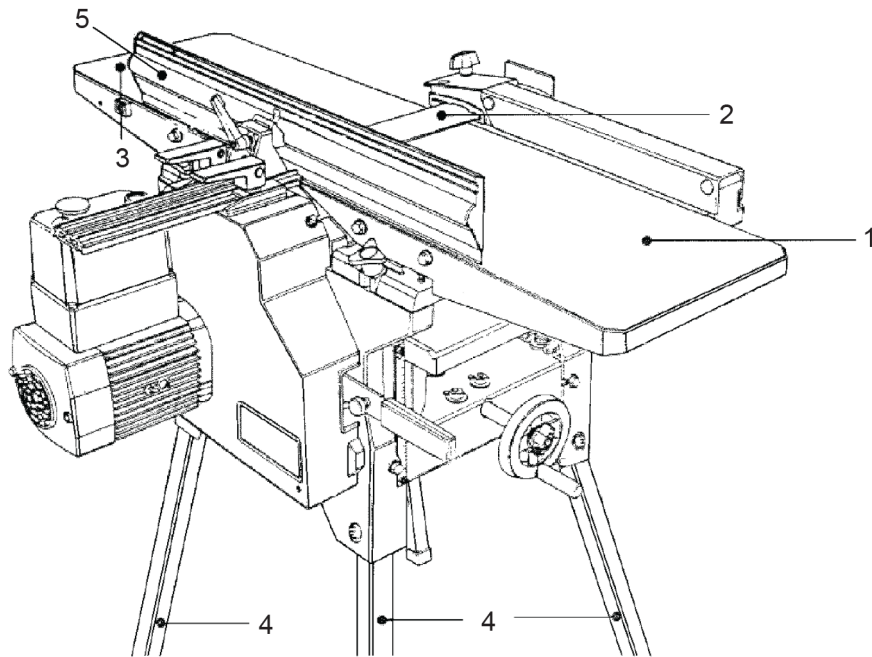
Addition:

3.101

combined planer and thicknesser

tool designed to carry out the functions of both a **planer** and a **thicknesser**

Note 101 to entry: See Figure 101.



IEC

Key

- 1 outfeed table
- 2 bridge type **guard**
- 3 infeed table
- 4 detachable working stand
- 5 parallel guide

Figure 101 – Example of a combined planer and thicknesser

3.102 cutter block

rotating assembly consisting of the drum, the blades, the blade fixing systems and the spindle

3.103 planer

tool designed to plane the surface of wood by means of a horizontally rotating **cutter block** located between two frames used to position and support the workpiece

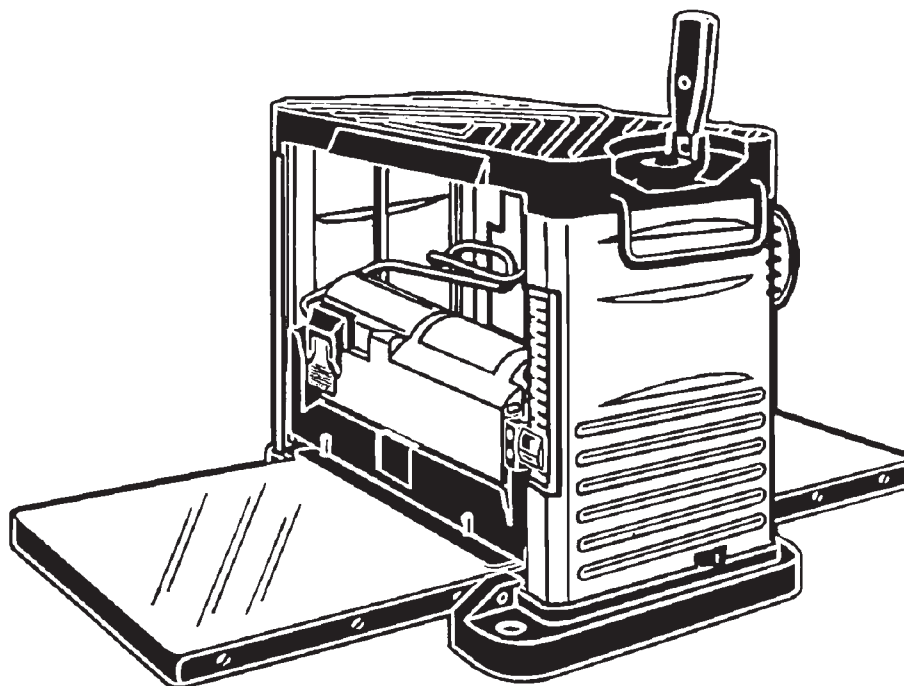
Note 101 to entry: The lower surface of the workpiece is planed.

3.104 thicknesser

tool designed to plane wood to a set thickness by means of a horizontally rotating **cutter block**, the distance between the knives and the surface of the table supporting the workpiece being adjustable

Note 101 to entry: The upper surface of the workpiece is planed.

Note 102 to entry: See Figure 102.



IEC

Figure 102 – Example of a thicknesser

4 General requirements

IEC 62841-1:2014, Clause 4 is applicable.

5 General conditions for the tests

IEC 62841-1:2014, Clause 5 is applicable, except as follows:

5.17 Addition:

The mass of the tool includes the cutter block.

6 Radiation, toxicity and similar hazards

IEC 62841-1:2014, Clause 6 is applicable.

7 Classification

IEC 62841-1:2014, Clause 7 is applicable.

8 Marking and instructions

IEC 62841-1:2014, Clause 8 is applicable, except as follows:

8.1 Addition:

Tools shall also be marked with the planing width.